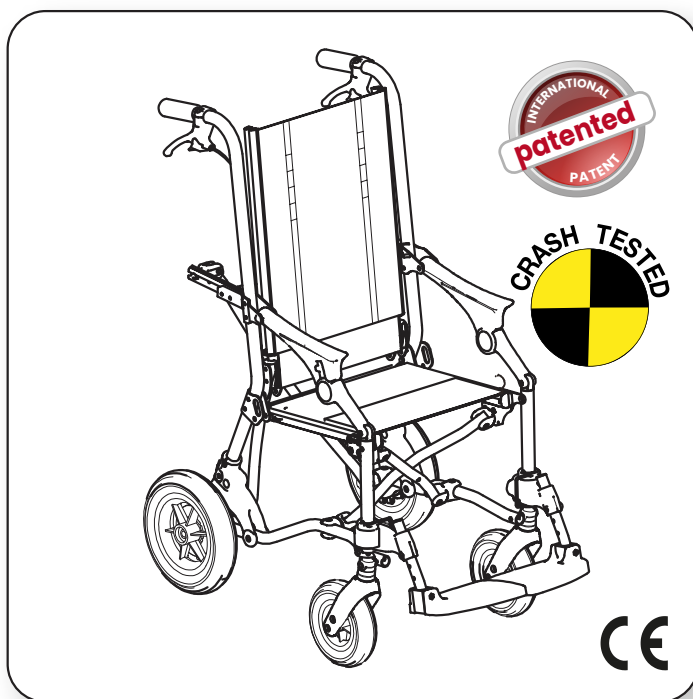


---

# Trollino

USA - cod. 220609 - 17-05-23

## ADJUSTABLE and FOLDING STROLLER for CHILDREN and TEENS



USE AND MAINTENANCE HANDBOOK

# ORMESA®

• MADE IN ITALY SINCE 1980 •





**Thank you** for choosing **TROLLINO**, a medical device designed and manufactured by ORMESA srl – an Italian company certified **ISO 13485**

**We recommends that you read this manual very carefully to fully understand its contents.** In addition to help you become familiar with **TROLLINO** quickly, it also contains practical tips for making the best use of it safely and keeping it in good working order.

If, after reading it, you still have questions, contact your retailer, who will be happy to help you, or call INNOVATION IN MOTION directly at 1.260.665.2769, send a fax to 1.260.665.3047 or send an e-mail to [iim@mobility-usa.com](mailto:iim@mobility-usa.com).

**ORMESA TEAM**



## TABLE OF CONTENTS

<b>GENERAL INFORMATIONS.....</b>	<b>4</b>
<b>NORMATIVE REFERENCES AND SAFETY WARNINGS .....</b>	<b>4</b>
<b>INTENDED USE, PURPOSE AND FUNCTIONS .....</b>	<b>4</b>
<b>WARNINGS .....</b>	<b>5</b>
<b>WHAT NOT TO DO WITH TROLLINO .....</b>	<b>6</b>
<b>BRAKING the STROLLER.....</b>	<b>8</b>
<b>HOW TO TILT TROLLINO AND CLIMB UP PAVEMENTS .....</b>	<b>9</b>
<b>HOW TO USE TROLLINO FOR TRANSPORT ON A MOVING VEHICLE (cars, buses, etc.) .....</b>	<b>10</b>
<b>LABELS AND PLATES .....</b>	<b>14</b>
<b>WARRANTY .....</b>	<b>15</b>
<b>HOW TO STORE AND TRANSPORT THE MEDICAL DEVICE .....</b>	<b>15</b>
<b>INITIAL PREPARATION .....</b>	<b>16</b>
<b>DESCRIPTION OF THE MEDICAL DEVICE.....</b>	<b>17</b>
<b>WHAT IT IS COMPOSED OF - TECHNICAL FEATURES.....</b>	<b>17</b>
<b>DIMENSIONAL FEATURES.....</b>	<b>17</b>
<b>HOW TROLLINO WORKS and HOW TO USE IT.....</b>	<b>19</b>
OPENING the STROLLER .....	19
OPENING the FOOTREST .....	20
LOCKING the FOOTRESTS.....	21
INVERSION OF THE FOOTRESTS .....	22
FOLDING the STROLLER.....	23
WIDE ADJUSTMENT of the FOOTRESTS in HEIGHT .....	25
SHORT ADJUSTMENT of the FOOTRESTS in HEIGHT .....	26
ADJUSTMENT of the SEAT in DEPTH .....	27
ADJUSTMENT of the BACKREST TILT .....	28
ADJUSTMENT of the BACKREST in HEIGHT .....	29
<b>ASSEMBLING THE ADDITIONAL COMPONENTS .....</b>	<b>30</b>
PADDED PELVIC SIDE SUPPORTS 958 .....	30
SIDE SUPPORTS 838.....	31
WRAPPABLE AND FLEXIBLE TRUNK SUPPORT 868 .....	33
HANDLEBAR 839.....	35



PADDED HEADREST 865 .....	36
SHAPED and ENVELOPING HEADREST 835 .....	36
CANOPY 819.....	37
RAIN COVER 825.....	39
BACK PROTECTION CLOTH 825B.....	40
THERMIC COVER 818.....	41
PADDED ABDUCTION BLOCK 834.....	42
4 POINT PELVIC BELT 920 .....	42
PELVIC BELT WITH VARIABLE ANGLE(from 45° to 90°) 947.....	43
VEST HARNESS 853 and 853 SLIM .....	44
SHOPPING BASKET 858.....	44
891 TIEDOWN HOOKS (4 RINGS).....	45
HEEL RESTS 960.....	46
FRONT WHEEL DIRECTION LOCKS 812.....	47
FOOTREST ADJUSTABLE IN TILT 956 .....	48
ADJUSTABLE PUSH HANDLES 951.....	49
PADDED SIDE PROTECTION COVERS 844.....	50
<b>CLEANING, DISINFECTION, SANITIZATION.....</b>	<b>51</b>
INFORMATION.....	51
WARNINGS .....	51
PROCEDURE.....	52
<b>MAINTENANCE.....</b>	<b>54</b>
1. ORDINARY MAINTENANCE (monthly).....	54
2. PREVENTIVE MAINTENANCE (biennial) .....	55
3. EXTRAORDINARY MAINTENANCE (or corrective).....	56
<b>DISPOSAL.....</b>	<b>56</b>
<b>ASSISTANCE AND SPARE PARTS.....</b>	<b>56</b>
<b>CONDITIONS FOR DURABILITY, REUSE AND REASSIGNMENT TO A NEW USER .....</b>	<b>57</b>



## GENERAL INFORMATIONS. NORMATIVE REFERENCES AND SAFETY WARNINGS

### INTENDED USE, PURPOSE AND FUNCTIONS

**TROLLINO** is an assistive device for children and teens (95 - 140 cm tall) that need a system for mobility during everyday activities, with different levels of functional and postural needs. It allows the positioning of the user with disabilities of various complexity in the most appropriate and functional posture to the different contexts of daily life.

The postural options (padded covers, harnesses, belts) allow to give stability to the pelvis, lower limbs, trunk and head, and to take different positions thanks to the reclining of the backrest. It can therefore be also used in medium gravity circumstances, in outdoor environments, for the transport of those users who are not able to maintain their sitting posture, due to severe diseases of the nervous system, of the muscular apparatus or relational sphere.

**Posture is comfortable and shaping:**

- The SEAT is slightly inclined to prevent the user from sliding forwards;
- The DOUBLE CROSS-SHAPED STRUCTURE OF THE FRAME is sturdy and it does not collapse when the user is seated;
- The SUPPORTING UPHOLSTERY is extremely breathable, fireproof (see page 5), resistant and easy to wash (although not removable)

**When folded it is light and compact** and you can lift and hold it with one hand without opening it. Or it can be pushed like a trolley because it rolls on its rear wheels

**When unfolded it is smooth and easy to operate** also in small spaces thanks to its tip-up footrests that turn laterally aligning with the frame. In this way if you want to access your car, the toilet, the sidewalk, they do not protrude and they do not prevent it from moving.

**More sizes in one frame, Trollino grows with the baby!**

(see p. 13 "Dimensional Features ")

Backrest: easily adjustable in height, seat: adjustable in width, thanks to the padded side covers (see size chart) and in depth.

TROLLINO (including the possible insertion of postural components) must be configured and adjusted exclusively by a Health Professional licensed by the National Health System.

During daily activities the handling of the product is simple and it allows a very easy and safe use even by other unskilled care givers.

**CONTRAINDICATIONS:** generally not suitable for patients with severe structured Musculo-skeletal deformities that require postural aids, or for patients with no head control and who need a posture system for their head able to ensure a high containment and support.



## WARNINGS

- **Carefully read and understand the instructions in this manual before using the product because it has been written with the user's safety in mind** and it will help the carer use the product safely and keep it in good working order. The Use and Maintenance Manual is an integral part of the product and must be carefully preserved for future reference.
- **The manual of the user is intended for technically qualified retailers and users and their assistants**; it provides instructions for its correct use.
- The manual reflects the technical state of the product at the time it was sold. **ORMESA s.r.l. reserves the right to make any changes to the product or manual** suggested by experience, technical considerations or regulatory developments without any obligation to update its previous production and relevant manual.
- TROLLINO may be used only by persons who have seen the rules and instructions contained in this manual.
- **The use of TROLLINO and its additional components must be checked by a specialized doctor**, in conformity with the laws and standards in force.
- **Adjustments only have to be made by qualified personnel** .
- **TROLLINO is intended for use by people whose size and weight** fall within the range of the "Dimensional Features" on page 13 .
- **TROLLINO must be manoeuvred by people with the height and strength** to control its movements.
- **Before using it, always check** the brake efficiency, the wheel wear, the locking of the headrest, backrest and footrest.
- **Always lock both brakes when stopping**, even on flat ground.
- **Always LOCK the BRAKES** before positioning or transferring the user and before making any adjustment!
- **Climb up and down curbs** facing forward and tilting the stroller on its rear wheels (see page 11).
- The upholstery is flame retardant (FR according to EN 1021-1: 1: 2014 - and EN 1021-2: 2014.



## WHAT NOT TO DO WITH TROLLINO

- **DO NOT USE THE STROLLER WITH USERS WHOSE DIMENSIONS AND WEIGHTS ARE DIFFERENT FROM THE ONES specified on page 18**
- **DO NOT ALLOW ANYONE TO STAND ON THE FOOTRESTS OR THE BACK**
- **DO NOT LIFT TROLLINO WITH USER BY THE LEG SUPPORT FRAME OR FOOTRESTS TO OVERCOME OBSTACLES**
- **NOT HANG BAGS ON THE REAR HANDLES, they may unbalance the STROLLER. Use the 858 net basket and the rear pockets positioned on the backrest for small objects**
- **NEVER LEAVE THE USER ALONE, ESPECIALLY ON THE BEACH, NEAR A RAVINE, SWIMMING POOL, SLOPE, OPEN FLAME OR STAIRS**
- **NEVER LEAVE THE STROLLER PARKED FOR A LONG TIME UNDER DIRECT SUNLIGHT OR NEAR SOURCES OF HEAT: THIS WILL AVOID OVERHEATING THE DEVICE AND DISCOLOURING THE UPHOLSTERY**
- **DO NOT CARRY THE USER OVER ROUGH OR STEEP SURFACES OR STAIRS**
- **NEVER LEAVE THE STROLLER PARKED ON A SLOPING SURFACE**
- **DO NOT USE THE STROLLER TO CLIMB OR DESCEND STAIRS: ITS STRUCTURE WAS NOT DESIGNED FOR THIS PURPOSE (see figure page 11)**
- **DO NOT CLIMB PAVEMENTS OR STEPS WITH JUST THE STROLLER'S SIDEWHEELS, front and back ones, because they could tip over (see page 11)**
- **DO NOT USE THE PRODUCT IF PARTS ARE MISSING OR DAMAGED. INSIST THAT ONLY ORIGINAL REPLACEMENT PARTS ARE USED BECAUSE ANY OTHER TYPE WILL VOID THE WARRANTY AND CE MARKING .**





**- TROLLINO IS A MECHANICAL MEDICAL DEVICE:**



**THE USER** has to perform **REGULAR MAINTENANCE and CLEANING** following the instructions shown in the "Maintenance" chapter on page 51-52-53-54-55-56 and **HAVE THE PRODUCT INSPECTED AT THE INTERVALS INDICATED** to **VERIFY** that it is **WORKING PROPERLY** and in **GOOD CONDITION**, otherwise warranty will fail and CE marking will lapse



**PRODUCT REPAIRS** other than the regular maintenance shown on page 51-52-53-54-55-56 of the manual must be **ONLY MADE** by a **SPECIALIZED SERVICE CENTER** in the maintenance of mechanical aids for disables, otherwise warranty and CE marking will be voided



Any **CHANGES** in the product and the **REPLACEMENT WITHOUT ORIGINAL PARTS OR COMPONENTS ARE NOT AUTHORIZED.** REFER ONLY TO ORMESA, otherwise warranty and CE marking will be voided



In case of **DOUBT** about the **SAFETY** of the product or **DAMAGE** to parts or components, you are urged to **IMMEDIATELY DISCONTINUE USE** and **CONTACT a SPECIALIZED SERVICE CENTER** in the maintenance of mechanical aids for disables, or directly **ORMESA.**

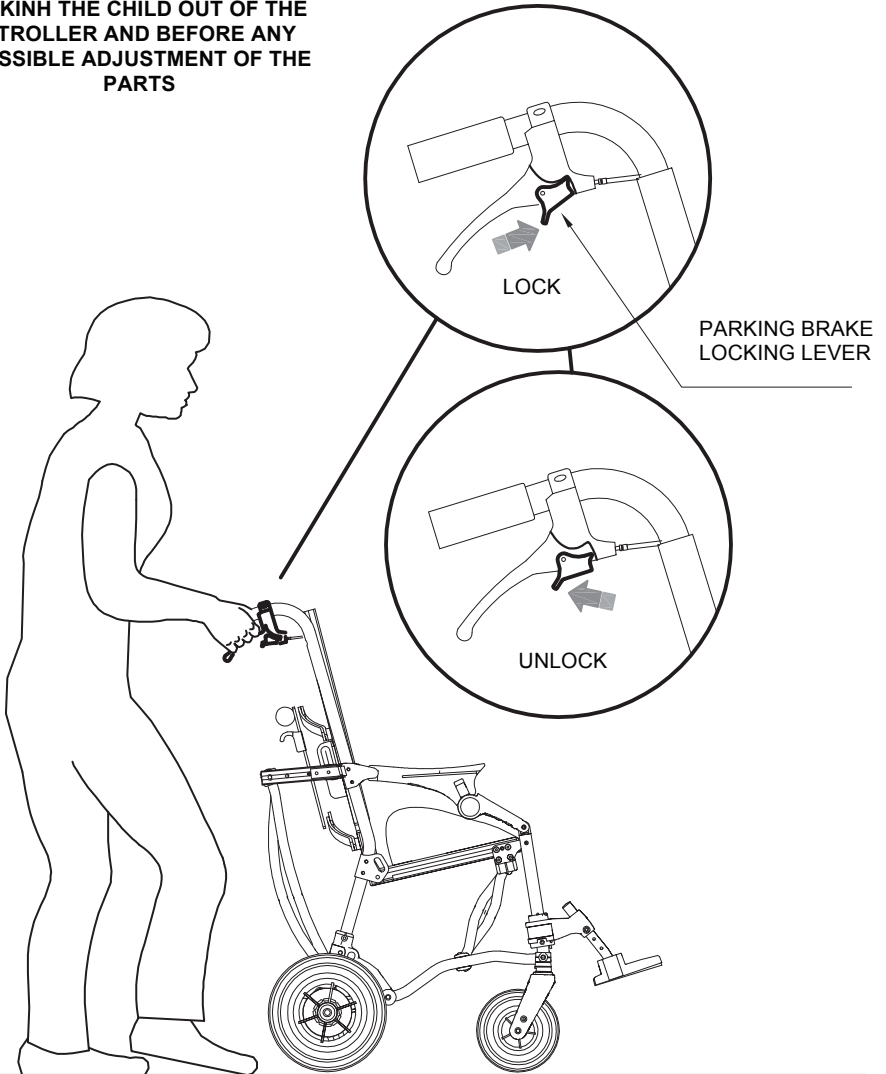


## BRAKING the STROLLER



**BEWARE!**

**IT IS NECESSARY TO BRAKE THE STROLLER BEFORE POSITIONING OR TAKING THE CHILD OUT OF THE STROLLER AND BEFORE ANY POSSIBLE ADJUSTMENT OF THE PARTS**





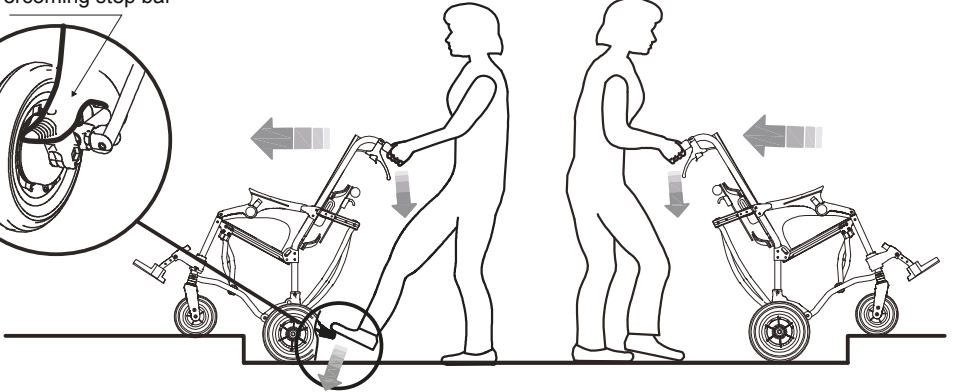
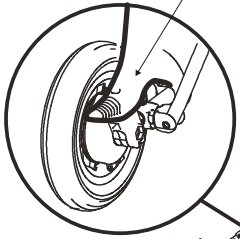
## HOW TO TILT TROLLINO AND CLIMB UP PAVEMENTS

The 2 **OVERCOMING STEP BARS**, behind the rear wheels, greatly facilitate this operation

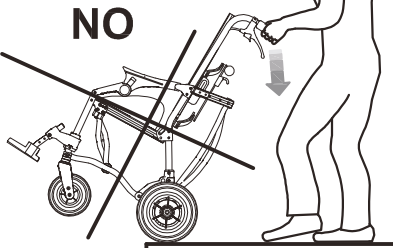
**CLIMB FACING FORWARDS**

**GO DOWN FACING BACKWARDS**

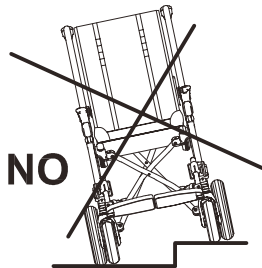
overcoming step bar



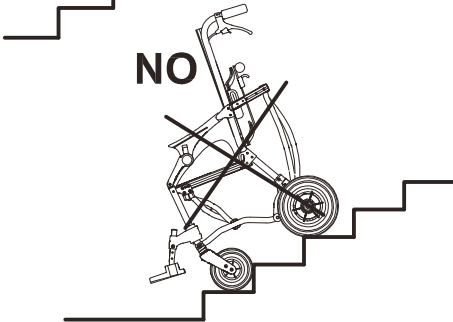
**NO**



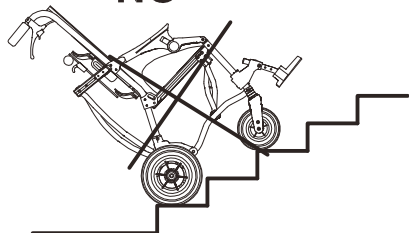
**NO**



**NO**



**NO**



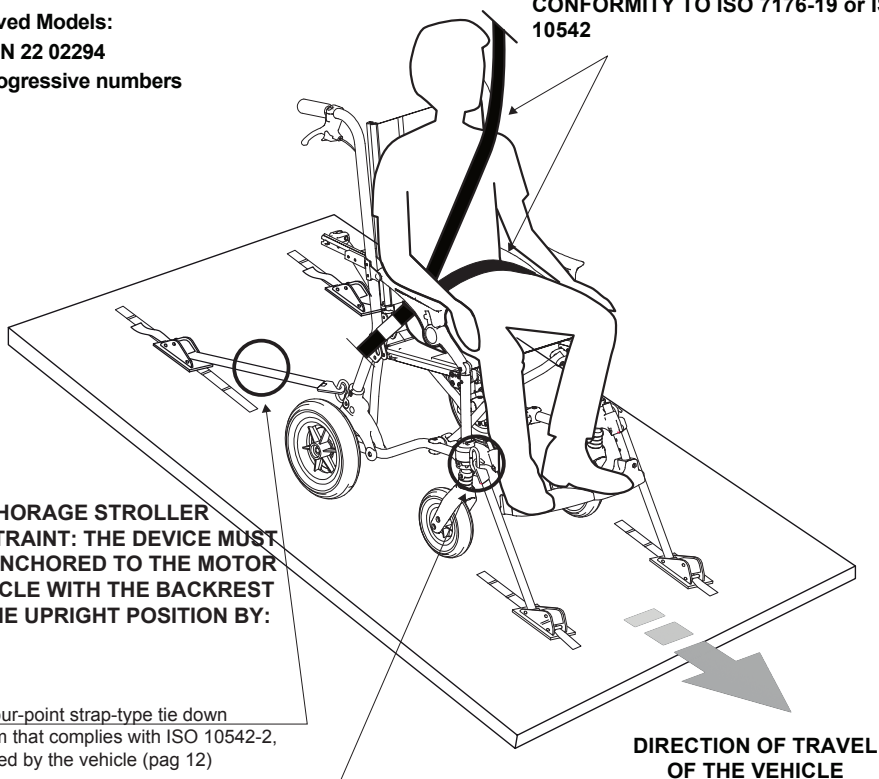


## HOW TO USE TROLLINO FOR TRANSPORT ON A MOVING VEHICLE (cars, buses, etc.)

TROLLINO conforms to the ISO 7176-19 and ANSI RESNA WC/19 standard, which defines the safety requirements for transport, facing in the direction of travel, on moving approved vehicles (private cars, buses, etc.) with the following **WARNINGS**:

**ANCHORAGE OCCUPANT RESTRAINT:** the User has to wear both a **PELVIC BELT** and a **DIAGONAL TRUNK BELT**, that LABELLED with **CONFORMITY TO ISO 7176-19 or ISO 10542**

Approved Models:  
from SN 22 02294  
and progressive numbers



**ANCHORAGE STROLLER RESTRAINT:** THE DEVICE MUST BE ANCHORED TO THE MOTOR VEHICLE WITH THE BACKREST IN THE UPRIGHT POSITION BY:

1) a four-point strap-type tie down system that complies with ISO 10542-2, supplied by the vehicle (pag 12)

2) component 891 – set of 4 tie-down hooks (pag.42)

**DIRECTION OF TRAVEL OF THE VEHICLE**

### **⚠ ATTENTION!**

**ORMESA RECOMMENDS THE USE OF A COMPLETE ISO 10542-2-COMPLIANT “WTORS” SYSTEM, which consists of restraint systems for both the wheelchair and its occupant**



- **THE VEHICLE MUST BE APPROVED FOR TRANSPORTING ORTHOPAEDIC WHEELCHAIRS/STROLLERS IN CONFORMITY WITH STANDARD ISO 7176-19**
- **THE STROLLER-SEATED OCCUPANT MUST FACE THE FRONT OF THE VEHICLE. According to paragraph 6.3.4 of ISO 7176-19, compliance with ISO 7176-19 does not preclude using the STROLLER facing rearward in accessible vehicles equipped and approved with spaces dedicated to this specific use**
- **The ANCHORAGE OCCUPANT RESTRAINT (approved belts) HAVE TO FIT THE USER BODY and so they have to be adjusted as tightly as possible, compatibly with the comfort of the child. Be careful that the belts do not twist and that components or parts of the STROLLER, such as wheels or pelvic supports, do not push them away (pag. 13)**
- **the diagonal trunk belt must be above the shoulders (pag. 13)**
- **the “ADDITIONAL COMPONENT” belts shown in this manual ARE NOT APPROVED for use as restraint systems**
- **during use in the car, it is advisable to remove the 839 hand rest, if present, and store it in the trunk or secure it to the vehicle**

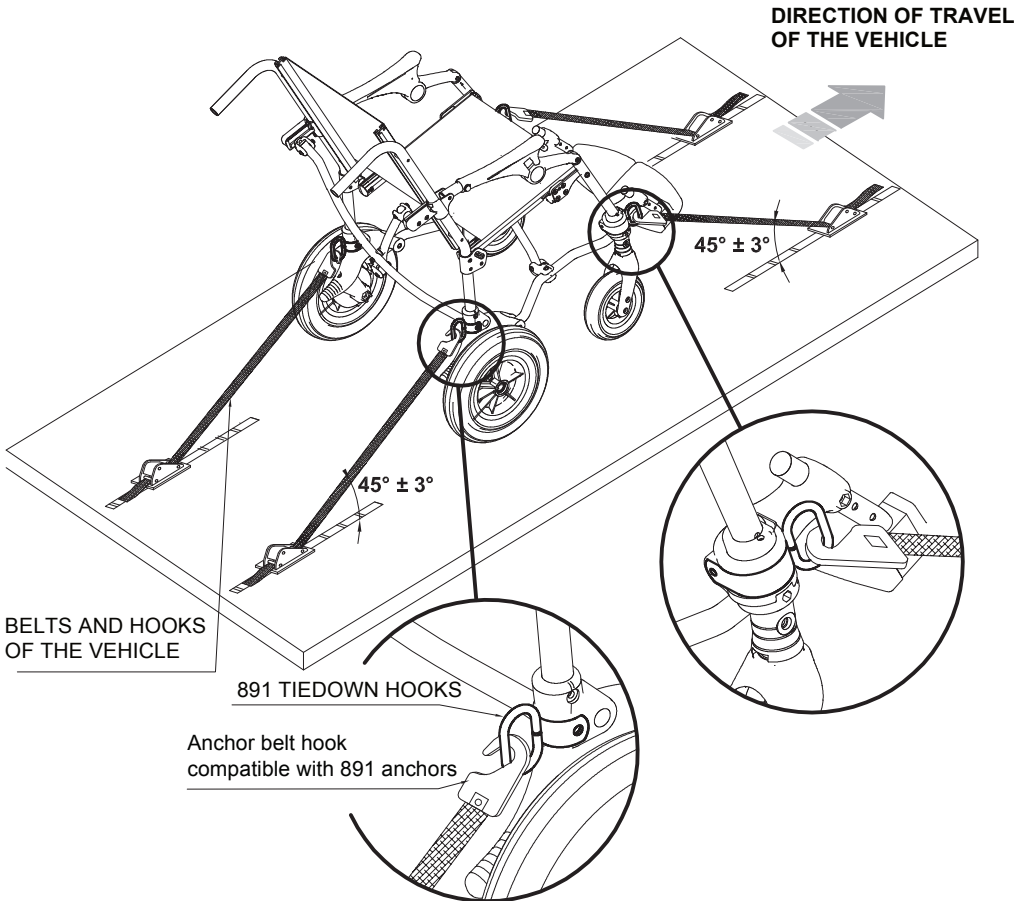
**THE STROLLER MUST BE INSPECTED BY THE MANUFACTURER OR ITS AUTHORIZED RETAILER OR DISTRIBUTOR BEFORE REUSE FOLLOWING INVOLVEMENT IN ANY TYPE OF VEHICLE COLLISION**

**ANY ALTERATION OR SUBSTITUTION OF PARTS OR COMPONENTS OF THE STROLLER, WITHOUT THE WRITTEN AUTHORIZATION OF ORMESA SRL, IS FORBIDDEN AND WILL VOID THE CE MARK AND THE WARRANTY**



# 1) HOW TO ANCHOR THE STROLLER TO THE MOVING VEHICLE (car, bus, etc.)

HOOK THE APPROVED 4-POINT BELTS OF THE VEHICLE TO THE 891-4 TIEDOWN HOOKS (4 RINGS) AS SHOWN IN THE FIGURE AND IN THE DIRECTION OF TRAVEL OF THE VEHICLE



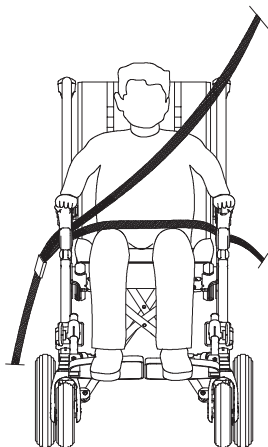
SEE PAGE 42 FOR ASSEMBLY INSTRUCTIONS FOR ADDITIONAL COMPONENT 891



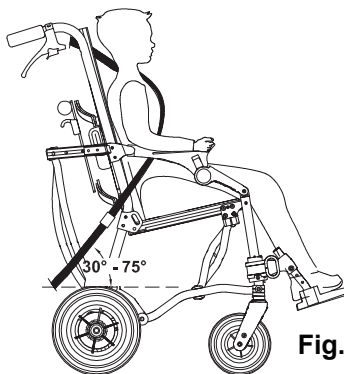
## 2) THE CORRECT POSITIONING OF OCCUPANT BELT RESTRAINTS ON THE USER

**⚠ ATTENTION!** the pelvic-belt restraint should be worn low across the front of the pelvis, so that the angle of the pelvic-belt restraint is within the preferred zone of  $30^\circ$  to  $75^\circ$  to the horizontal, similar to that shown in Figure 1. A steeper (greater) angle within the preferred zone is desirable,

**YES**  
beneath  
the armrest  
and the frame



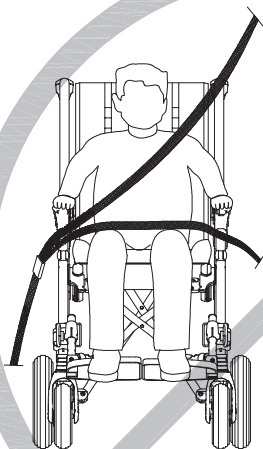
FRONT VIEW



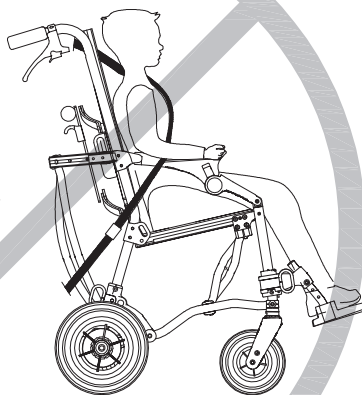
SIDE VIEW

Fig. 1

**NO**  
above  
the armrest  
and the frame



FRONT VIEW

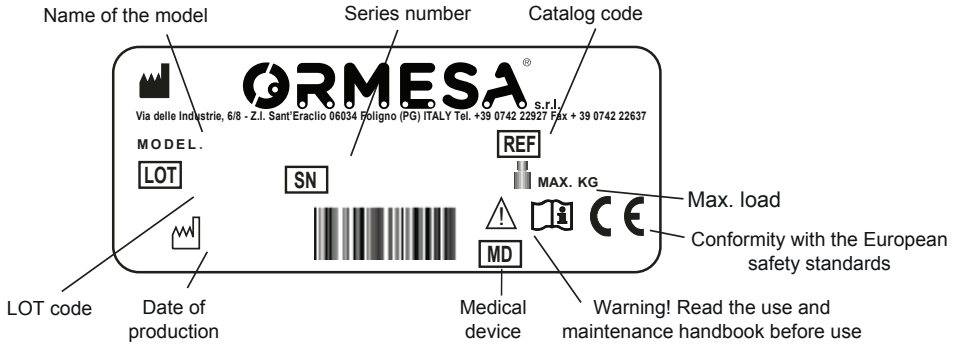


SIDE VIEW

**THE INCORRECT PLACEMENT OF BELT RESTRAINTS**



## LABELS AND PLATES



**THE CE MARKING CERTIFIES THAT TROLLINO STROLLER CONFORMS TO THE SAFETY REQUIREMENTS defined with the REGULATION (EU) 2017/745 OF THE EUROPEAN PARLIAMENT AND OF THE COUNCIL of 5 April 2017 applicable for MEDI-CAL DEVICE**



**SECUREMENT POINT TO FOR THE ANCHORAGE OF THE ISO 10542-2 APPROVED 4-POINT STRAP-TYPE TIEDOWNS SUPPLIED BY THOSE VEHICLES WHICH ARE SUITABLE FOR TRANSPORTING ORTHOPEDIC STROLLERS IN COMPLIANCE WITH THE ISO 7176-19 STANDARD FOR APPROVED MODELS BY SN 02294 AND PROGRESSIVE NUMBERS**





## WARRANTY

ORMESA and INNOVATION IN MOTION warrant the product for 2 years; in case of problems, contact the retailer where you purchased it. Always ask for original spare parts, otherwise the guarantee will decline

**ORMESA will not be liable for damage in the following cases:**

- use by an unsuitable person;
- incorrect assembly of parts or accessories;
- unauthorized modifications or service;
- use of other than original replacement parts and parts subject to wear (upholstery, wheels, etc);
- improper use (such as, transporting objects or loads larger or heavier than those ones shown in this user manual);
- damage caused by incorrect use and lack of regular maintenance, as shown in this user manual;
- exceptional events;
- failure to follow the instructions in this manual.

**THE WARRANTY DOES NOT COVER WEAR PARTS, which are subject to wear and tear, such as the upholsteries and the wheels.**




## HOW TO STORE AND TRANSPORT THE MEDICAL DEVICE

**THE STROLLER MUST BE STORED AND PACKED using the Ormesa original packaging materials, unless the guarantee will be voided**

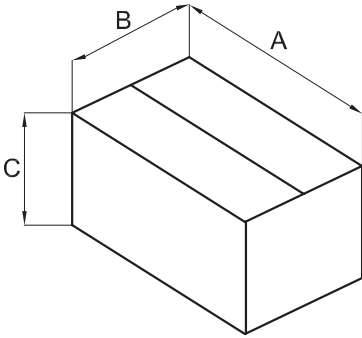
- Once unpacked, **THE TRANSPORT OF THE PRODUCT must be done by ADEQUATELY ANCHORING it to the vehicle**
- When travelling by plane, or in the car, **DO NOT SUBJECT THE FOLDED FRAME TO LOADS THAT, especially with road bumps, COULD DAMAGE ITS STRUCTURE**

**THE STROLLER MUST BE PARKED / STORED IN CLOSED AND DRY PLACES**

- **THE OPERATING ENVIRONMENT HAS NO PARTICULAR INFLUENCE ON THE PRODUCT UNLESS IT IS USED INCORRECTLY, such as by leaving it parked for a long time in direct sunlight or exposed to bad weather such as rain, or in MARINE ENVIRONMENTS, where the salt air could corrode the paint and sliding parts. IN THIS CASE, WE RECOMMEND CAREFULLY CLEANING AND DRYING THE FRAME FOLLOWING THE INSTRUCTIONS SHOWN IN THE “MAINTENANCE, CLEANING AND DISINFECTION” CHAPTER ON PAGES 51-52-53-54-55-56 AND THE WARNINGS  ON PAGE 54**



## INITIAL PREPARATION



## PACKAGING INFORMATION

A cm	B cm	C cm	VOLUME m <sup>3</sup>	WEIGHT kg
103	67	49	0,338	16

A In.	B In.	C In.	VOLUME In <sup>3</sup>	WEIGHT Lb
40,5	26,3	19,2	20.626	35,2

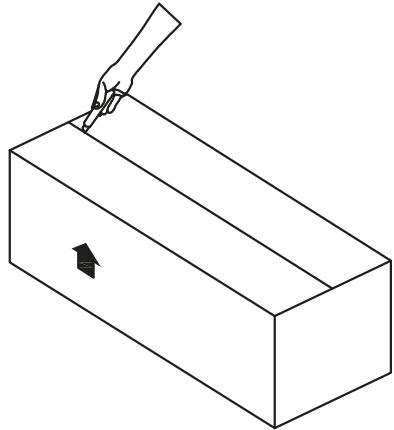
## HOW TO TAKE TROLLINO OUT OF THE BOX

1



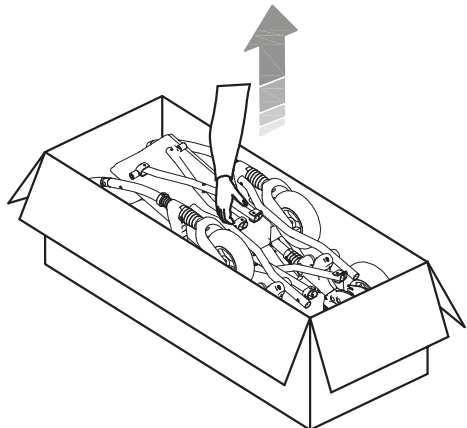
**CAUTION!**

CUT WITHOUT PRESSING TOO HARD  
WITH THE BLADE SO AS NOT TO DAMAGE THE  
CONTENTS OF THE BOX



2

TAKE IT OUT FROM THE BOX





## DESCRIPTION OF THE MEDICAL DEVICE

### WHAT IT IS COMPOSED OF - TECHNICAL FEATURES

Lightweight umbrella folding **FRAME**, in aluminum painted with non-toxic epoxy powders.

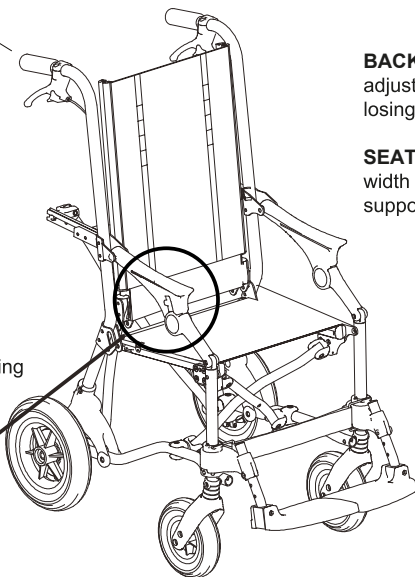
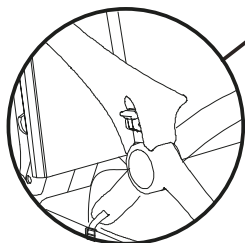
**SUPPORTING UPHOLSTERY** extremely breathable, fireproof according to EN 1021-1: 2014 and EN 1021-2: 2014 standards, resistant and easily washable (although not removable)

#### **PUSH HANDLES**

with manual and parking brakes. Height adjustable with 951 additional component.

Manual **BAG** and key on the back of the backrest.

**CLOSING LEVER** equipped with a safety device that prevents the stroller from closing when the user is seated.



**BACKREST** reclining and adjustable in height, without risk of losing the screw.

**SEAT** adjustable in depth and width thanks to padded side supports.

Height adjustable **LEGREST**.

Folding and swiveling **FOOTREST** without encumbrance.

Solid **WHEELS** (puncture-proof)  
front: swiveling 17 cm (7")  
back 25 cm (10") with independent drum brakes and **OVERCOMING STEP BARS** on both wheels.

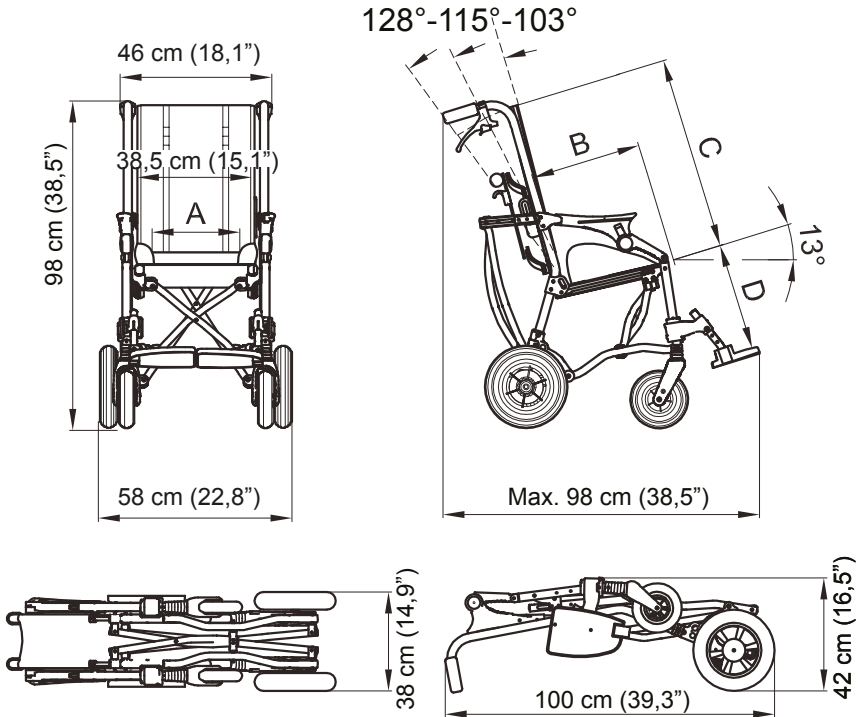
- **Compact:** unlike other umbrella folding strollers when closed does not extend and it can be carried as a travel trolley
- **Lightweight:** without additional components less than 15 kg!
- **Resistant:** stability and resistance guaranteed by double crossbar, under the seat and behind the backrest
- **Comfortable:** the slightly inclined, ergonomic seat and the particular type of upholstery, breathable and robust does flex with the weight of the user.
- **Grows with the child:** ergonomic and comfortable seat adjustable in depth from 30 (11,8") to 40 cm (15,7"), and in width through thickness at the hips sides. (p. 13)
- **Wide range of components** to meet different needs; easy and quick to manage



## DIMENSIONAL FEATURES

User height 110-140 cm (43,3"-55")

Dimensions in cm and inches Weights in Kg and pounds



<b>TROLLINO</b>	cm - kg	Inches - Pound
A: seat width*	28-32-36	11-12,5-14,1
B: seat length	from 30 to 40	from 11,8 to 15,7
C: backrest height	from 55 to 65	from 21,6 to 25,5
D: seat-footrest height	from 24 to 34	from 9,4 to 13,3
Weight of the aid	14,8 kg	32,6 Lb
Max Load	55 kg	121 Lb

\*28 cm (11") with padded sides, 32 cm (12,5") removing an internal thickness, 36 cm (14") without side panel

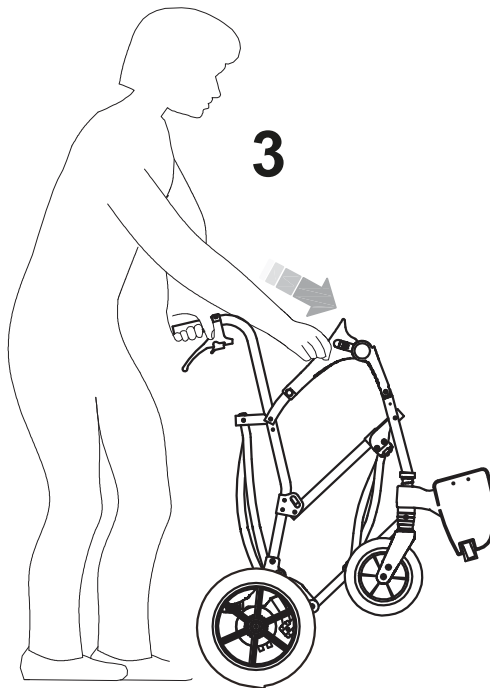
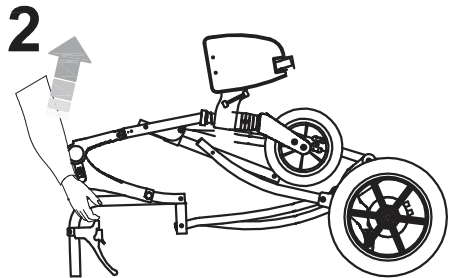
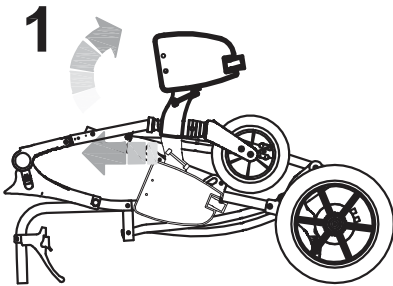
The numbers divided by the dash specify a minimum and a maximum adjustment



## HOW TROLLINO WORKS and HOW TO USE IT

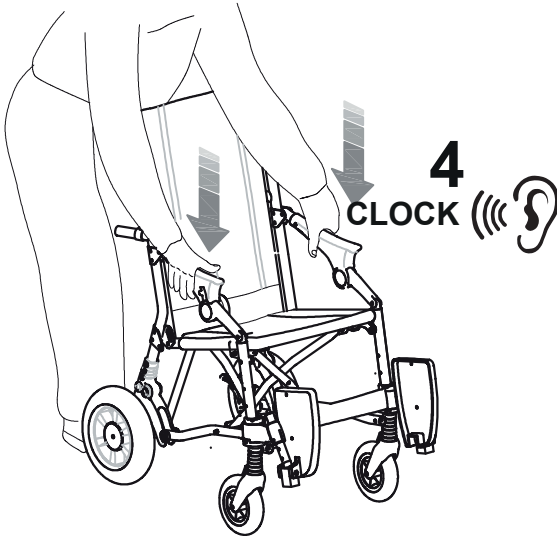
### OPENING the STROLLER

1. PULL THE LEG REST FORWARD AND SIMULTANEOUSLY ROTATE IT UPWARDS
2. LIFT THE STROLLER VERTICALLY
3. OPEN THE STROLLER BY PUSHING THE HANDLE WITH ONE HAND AND THE OTHER ON THE ARMREST





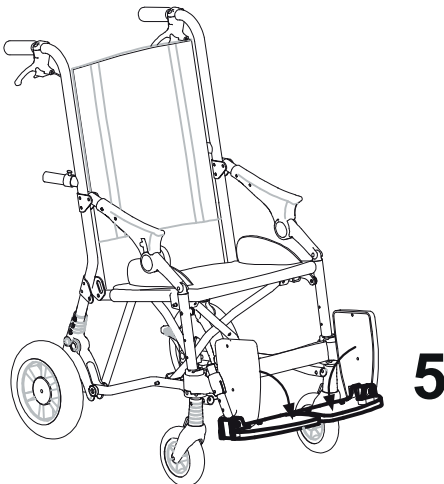
**4 PUSH DOWN BOTH ARMRESTS, A CLOK SIGNAL LOCKING OF THE FRAME**



**⚠ CAUTION!**  
**BEFORE PLACING THE CHILD IN THE STROLLER**  
**BE SURE THAT THE FRAME IS WELL LOCKED**

**5 LOWER BOTH FOOTRESTS**

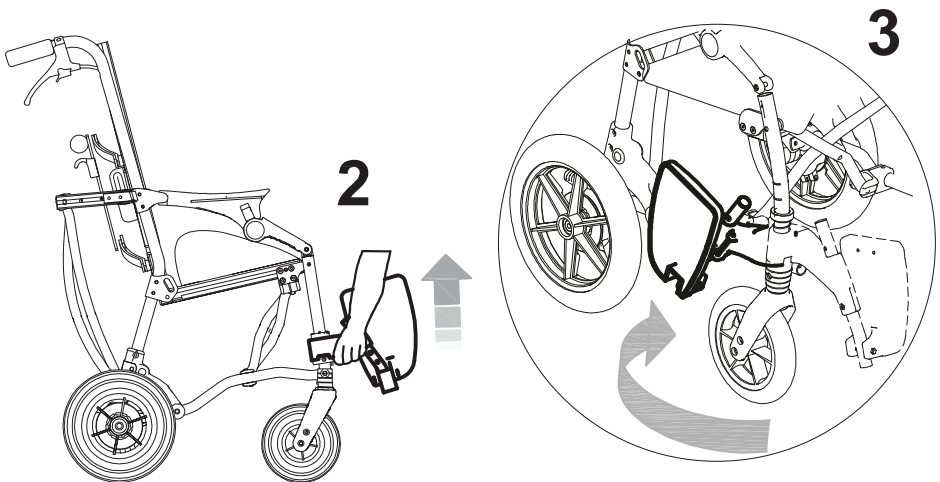
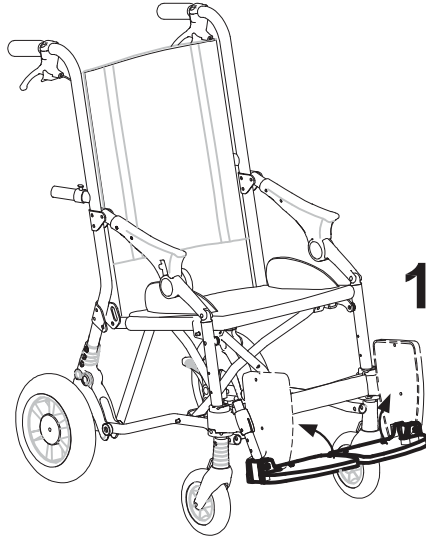
### **OPENING the FOOTREST**





## LOCKING the FOOTRESTS

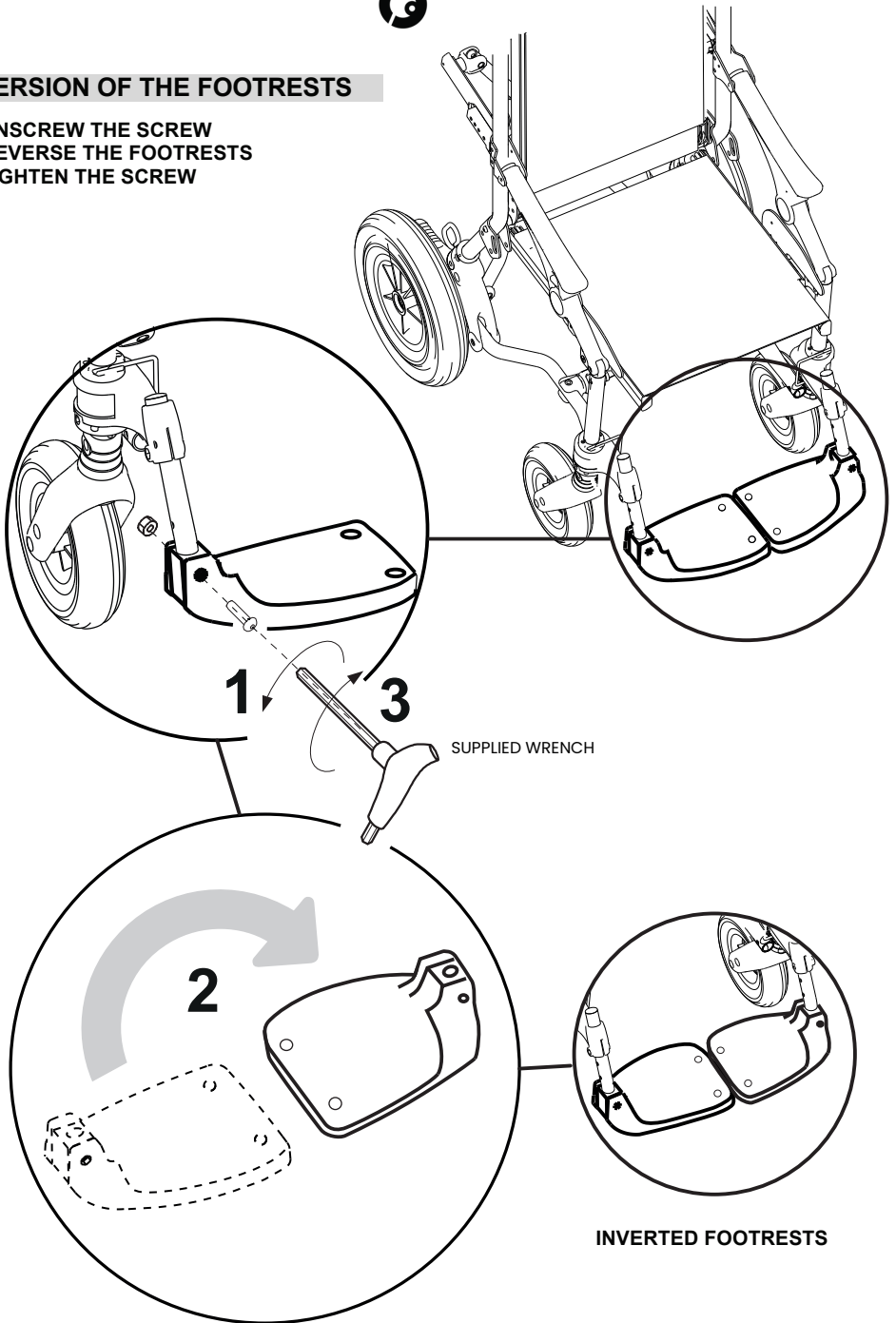
1. TIP BOTH FOOTRESTS UP
2. PULL THE LEGREST UP
3. TURN THE LEGREST BACKWARDS





## INVERSION OF THE FOOTRESTS

1. UNSCREW THE SCREW
2. REVERSE THE FOOTRESTS
3. TIGHTEN THE SCREW





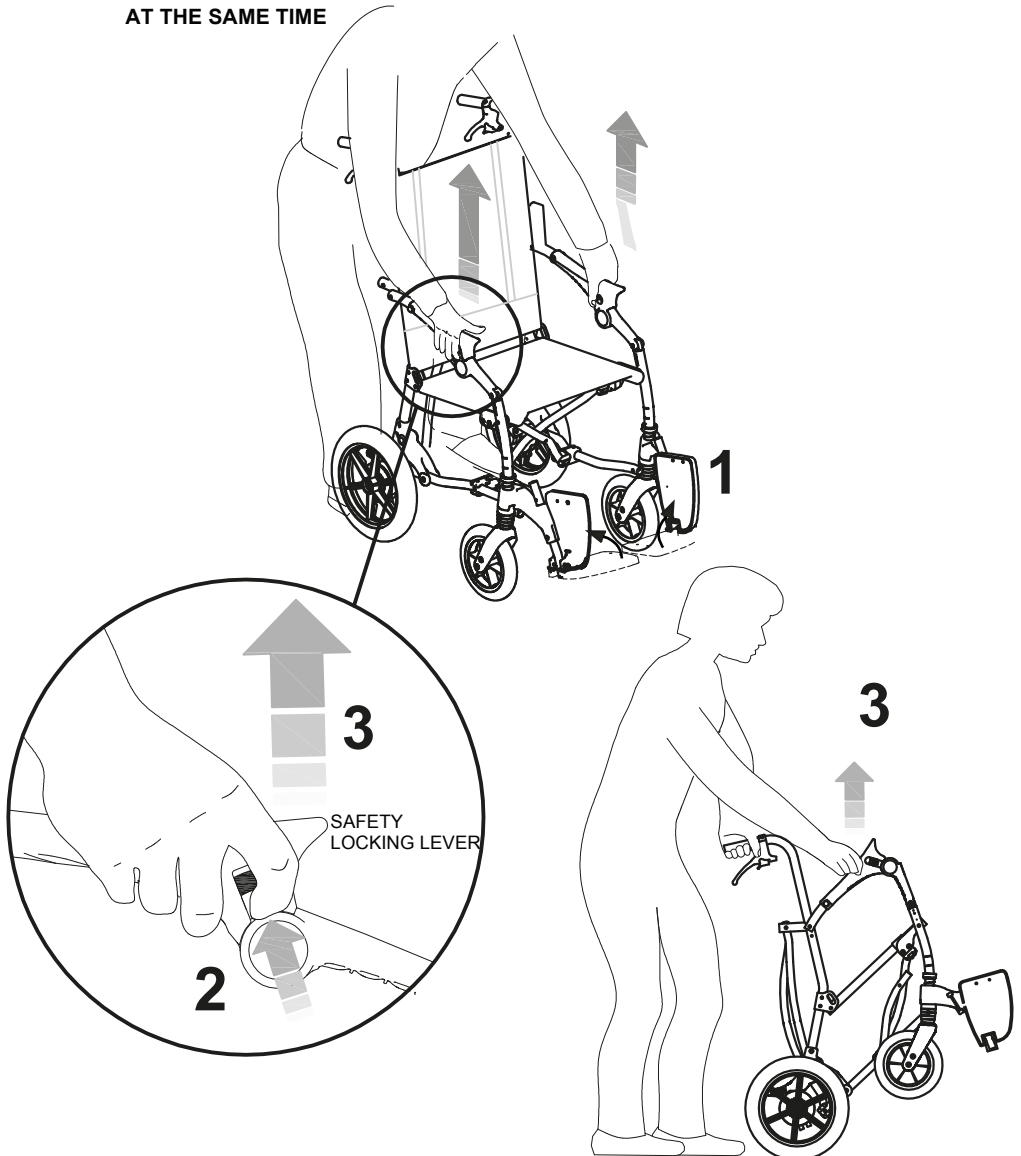


## FOLDING the STROLLER

(video at the product page of the website [www.ormesa.com](http://www.ormesa.com))

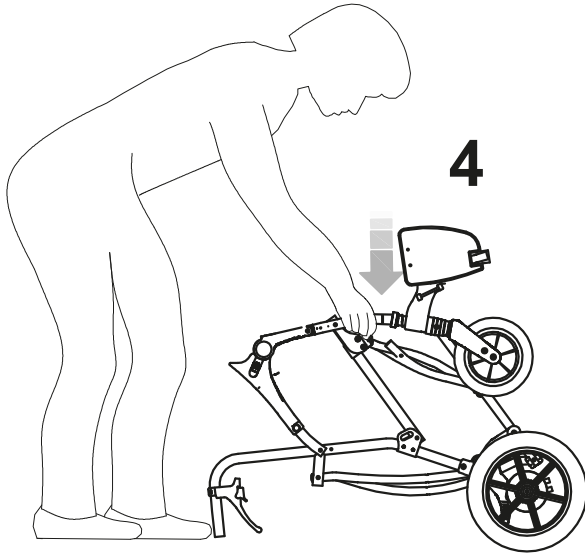
**BRAKES THE STROLLER** (pag. 8)

1. TIP BOTH FOOTRESTS UP
- 2-3 PULL THE LOCKING LEVERS UP WITH BOTH HANDS AND PULL THE ARMRESTS UP AT THE SAME TIME

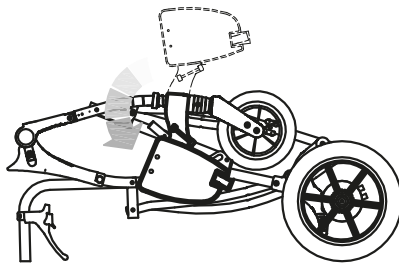




4. POSITION THE STROLLER HORIZONTALLY AND PUSH ON THE FRAME UNTIL IT IS COMPLETELY CLOSED
5. TURN THE LEGREST BACKWARDS



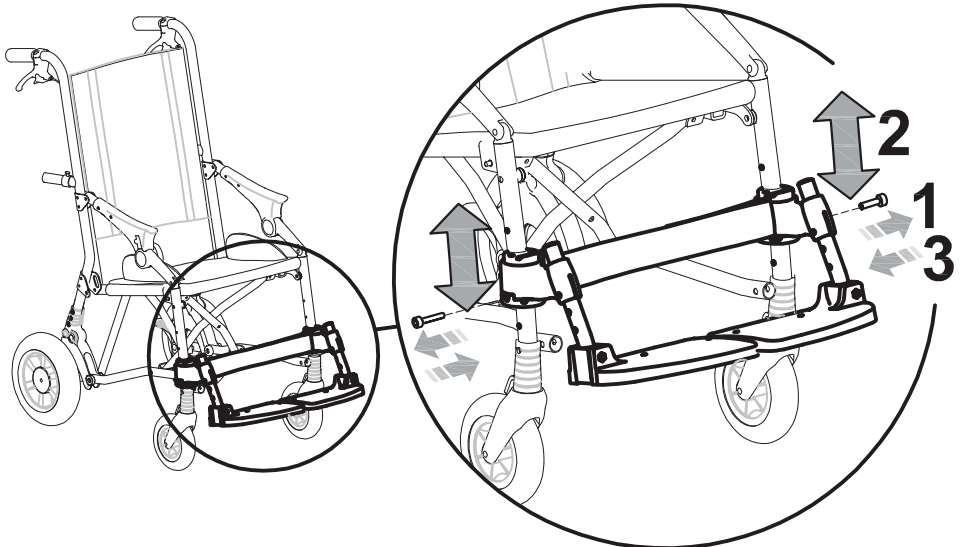
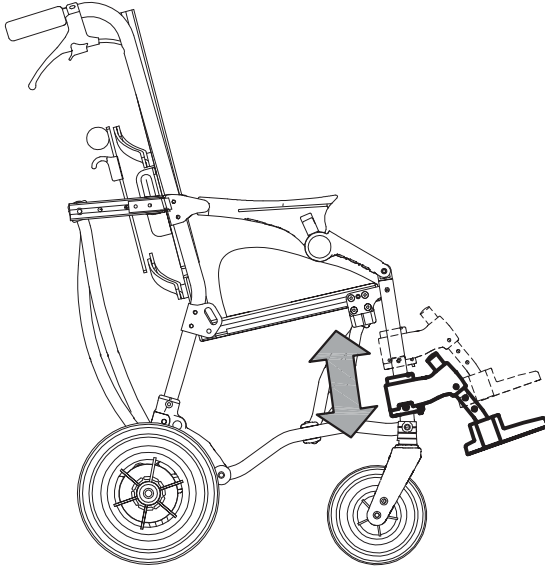
5





## WIDE ADJUSTMENT of the FOOTRESTS in HEIGHT

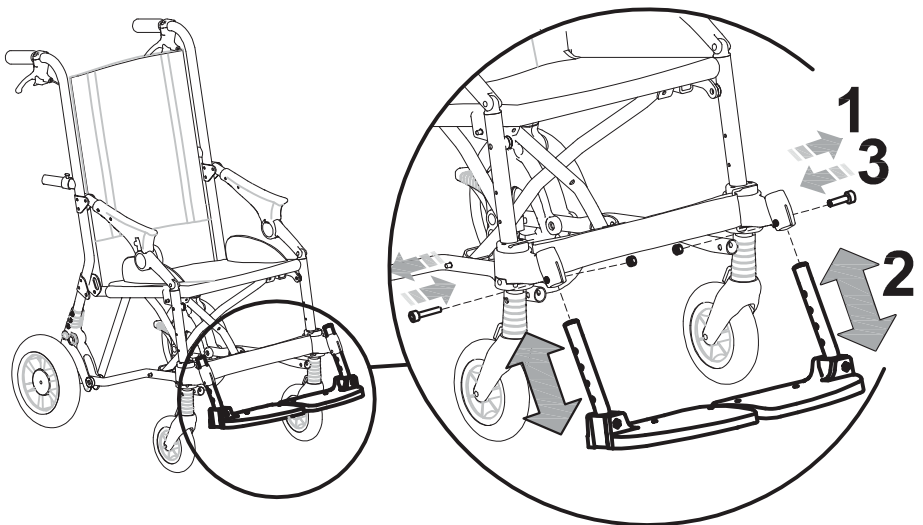
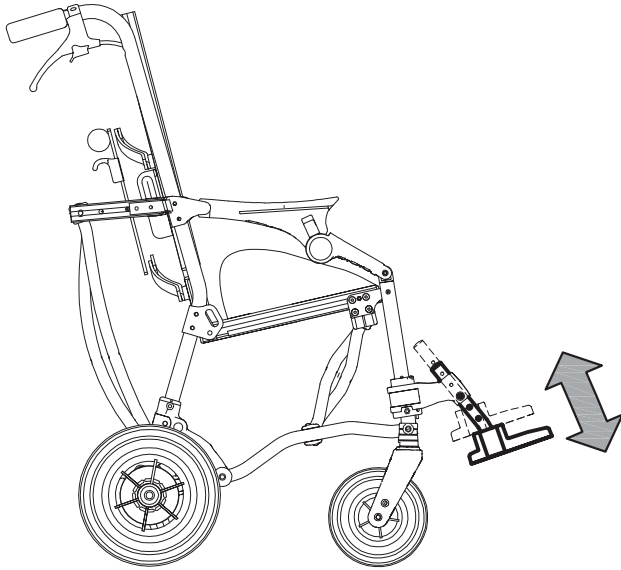
- 1 UNSCREW THE SCREWS AND TAKE THEM OUT
- 2 POSITION THE FOOTRESTS AT THE NEEDED HEIGHT
- 3 FIX THE SCREWS AND TIGHTEN THEM





## SHORT ADJUSTMENT of the FOOTRESTS in HEIGHT

1. UNSCREW THE NUTS AND TAKE THE SCREWS OUT
2. POSITION THE FOOTRESTS AT THE NEEDED HEIGHT
3. FIX THE SCREWS AND TIGHTEN THE NUTS

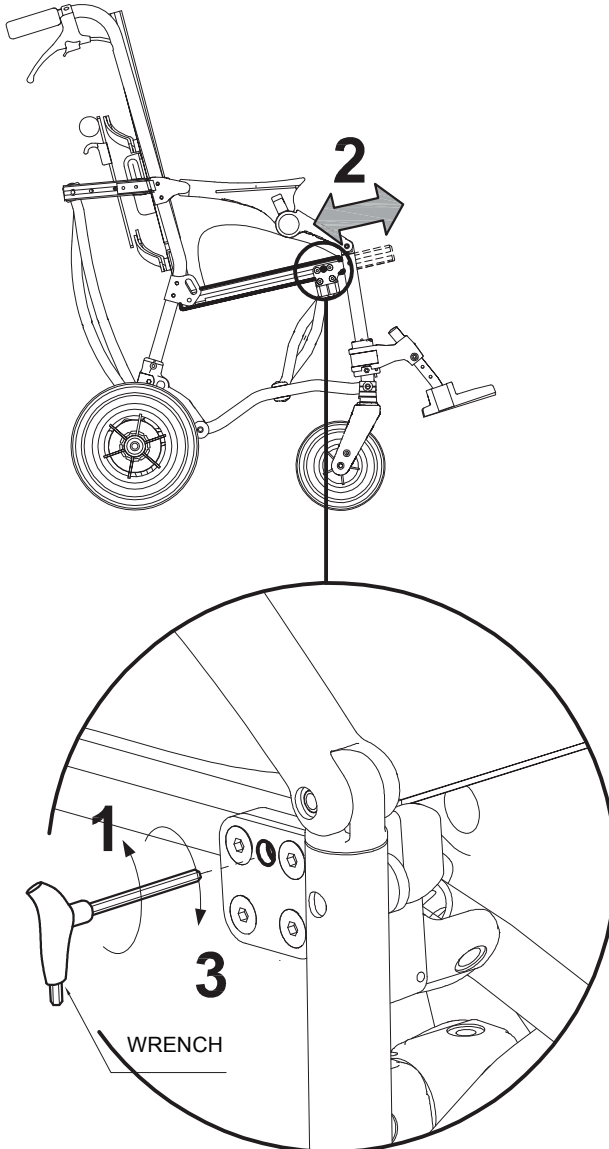




## ADJUSTMENT of the SEAT in DEPTH

(video at the product page of the website [www.ormesa.com](http://www.ormesa.com))

- 1- LOOSEN THE INDICATED SCREW (on both sides)
- 2- ADJUST THE SEAT IN DEPTH
- 3- TIGHTEN THE INDICATED SCREW (on both sides)

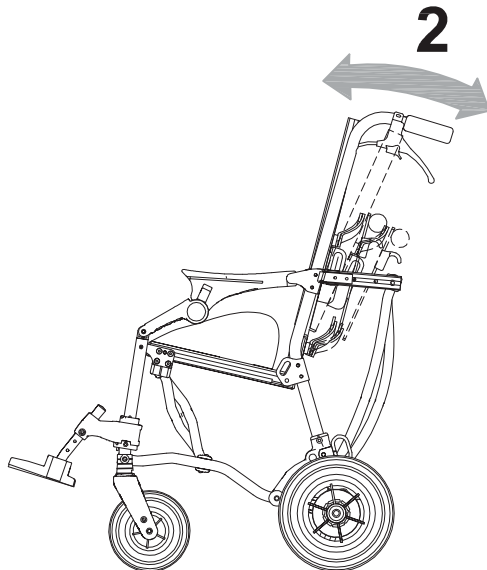
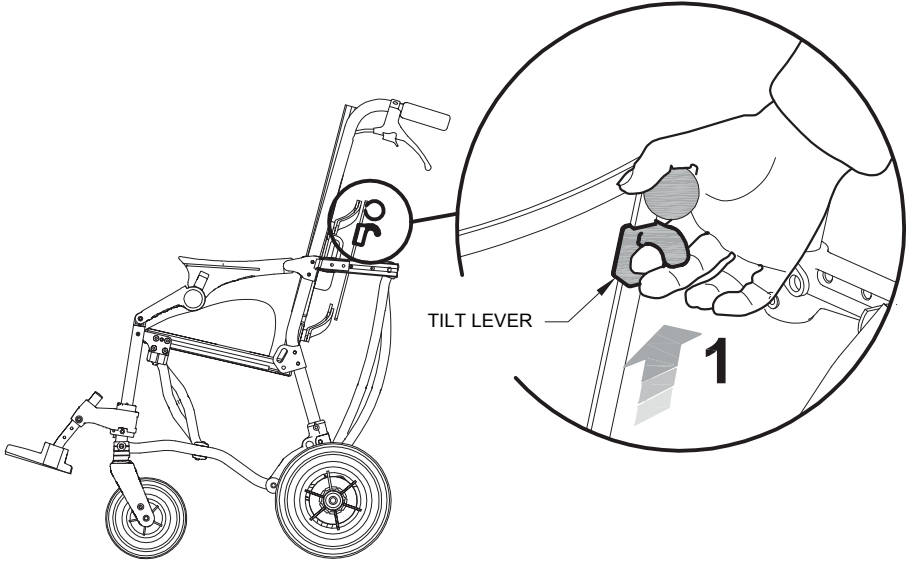




## ADJUSTMENT of the BACKREST TILT

- 1- PULL THE TILT LEVER UP
- 2- TILT THE BACKREST  
(A CLICK INDICATES THE NEXT POSITION)

VIEW FROM THE BACK OF THE BACKREST

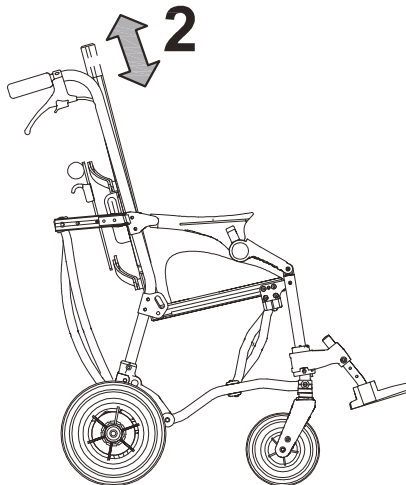
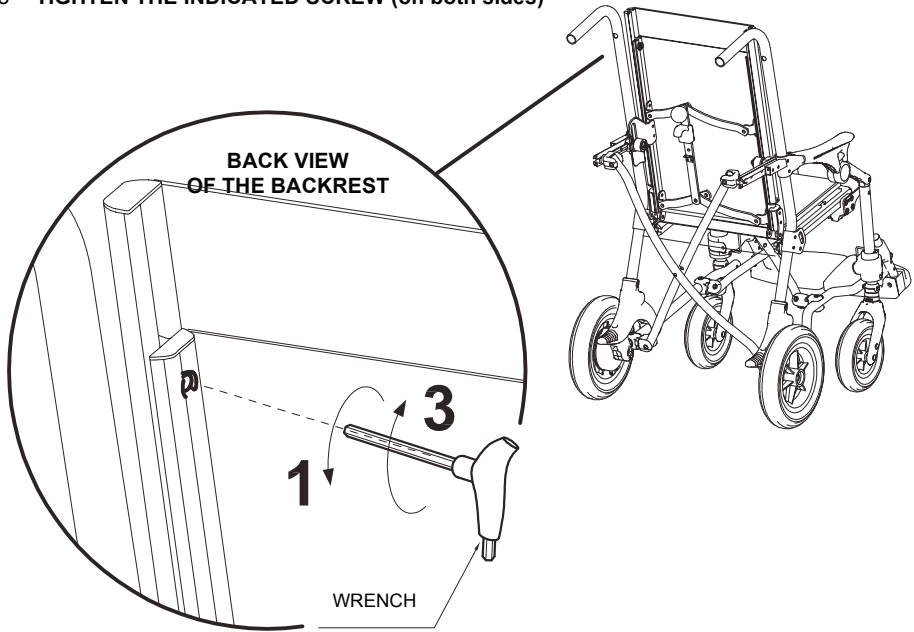




## ADJUSTMENT of the BACKREST in HEIGHT

(video at the product page of the website [www.ormesa.com](http://www.ormesa.com))

- 1- LOOSEN THE INDICATED SCREW (on both sides)
- 2- ADJUST THE SEAT IN DEPTH
- 3- TIGHTEN THE INDICATED SCREW (on both sides)



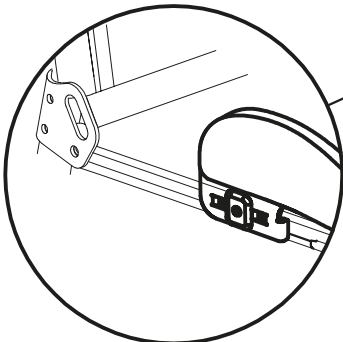
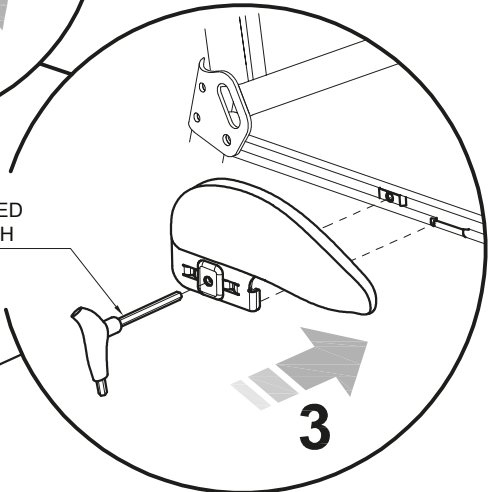
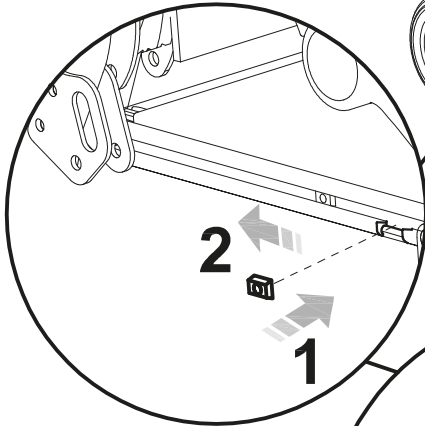
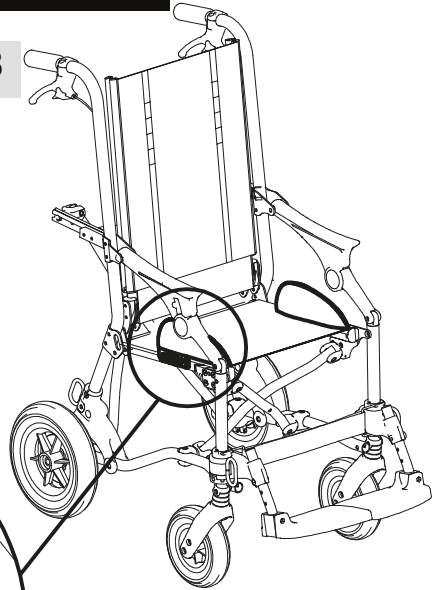


## ASSEMBLING THE ADDITIONAL COMPONENTS

### PADDED PELVIC SIDE SUPPORTS 958

#### A. ASSEMBLY

1. 2. INSERT THE CURSOR IN THE GUIDE
3. INSERT THE SIDE SUPPORT ON THE CURSOR AND TIGHTEN THE SCREW  
(by inserting the wrench into the indicated hole)





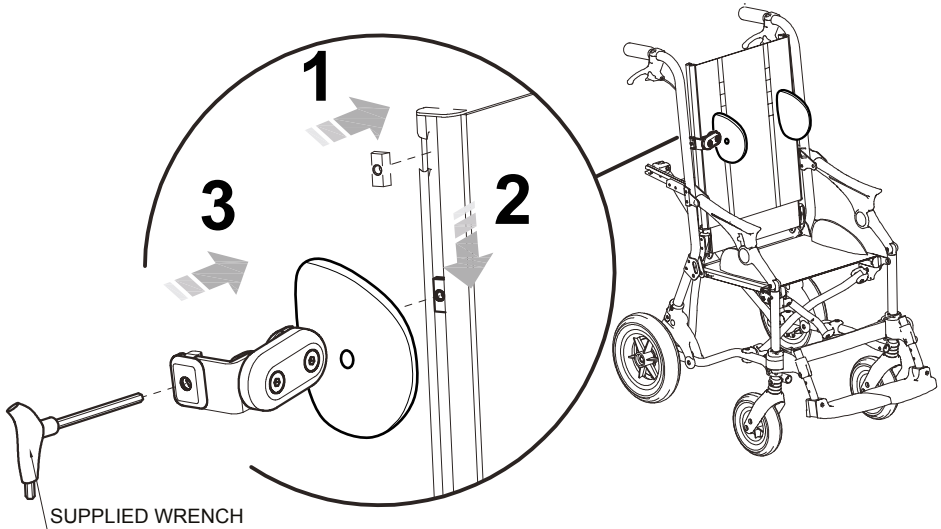


## TRUNK SIDE SUPPORTS 838

(video at the product page of the website [www.ormesa.com](http://www.ormesa.com))

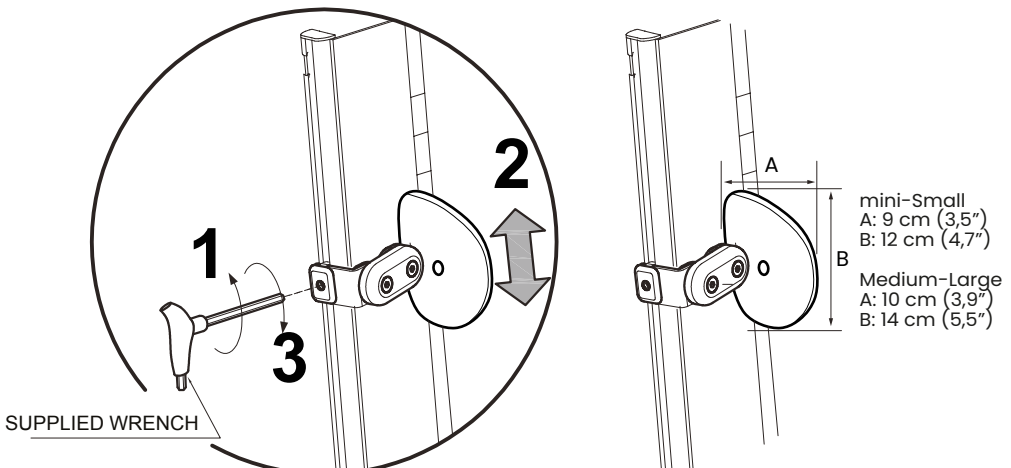
### A. ASSEMBLY

1. INSERT THE CURSOR IN THE GUIDE
2. INSERT THE SIDE SUPPORT AND TIGHTEN THE SCREW
3. (by inserting the wrench into the indicated hole)



### B. HEIGHT ADJUSTMENT

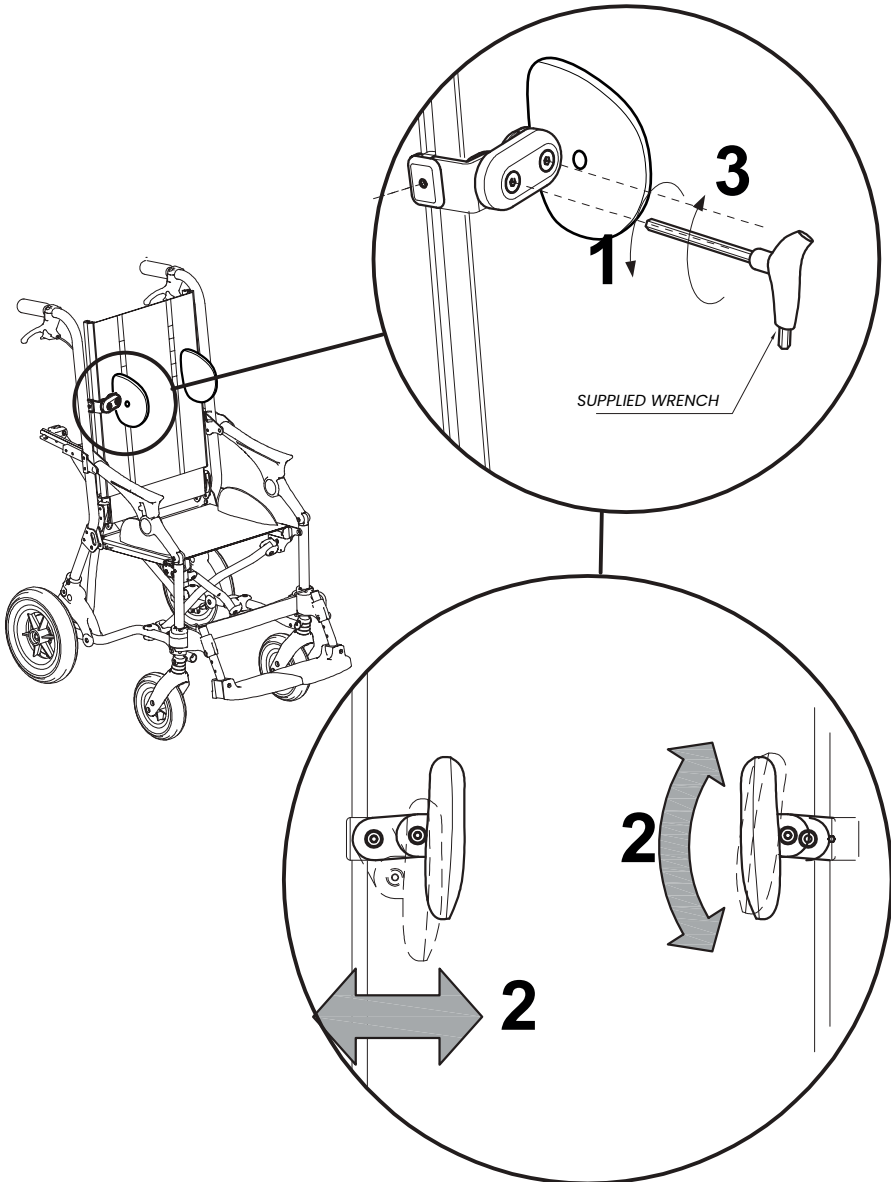
1. LOOSEN THE INDICATED SCREW  
(by inserting the wrench into the indicated hole)
2. ADJUST THE SIDE SUPPORT IN HEIGHT
3. TIGHTEN THE SCREW





## C. WIDTH AND TILT ADJUSTMENT

1. LOOSEN THE INDICATED SCREWS
2. ADJUST THE SIDE SUPPORT IN WIDTH AND TILT
3. TIGHTEN THE SCREWS



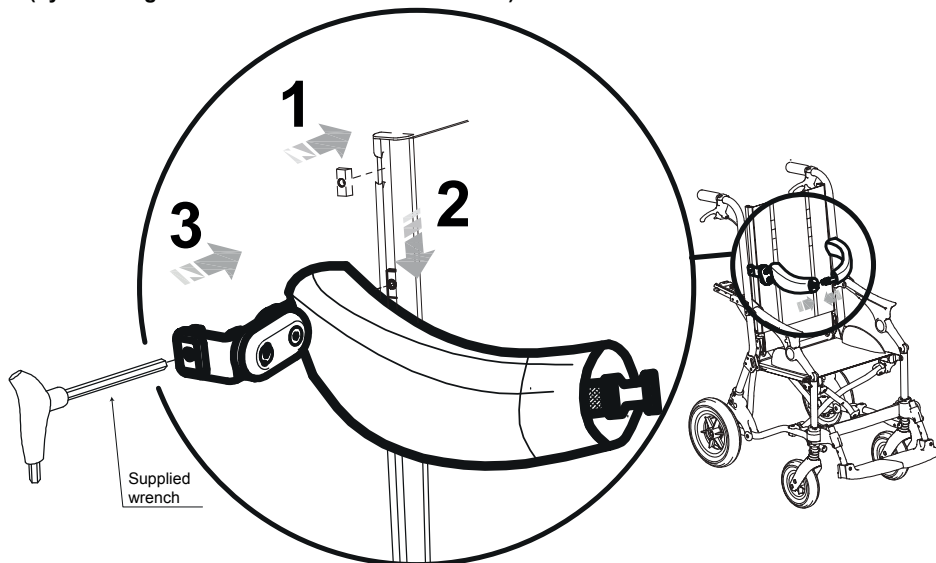


## WRAPPABLE AND FLEXIBLE TRUNK SUPPORT 868

Multiadjustable in height, width and inclination

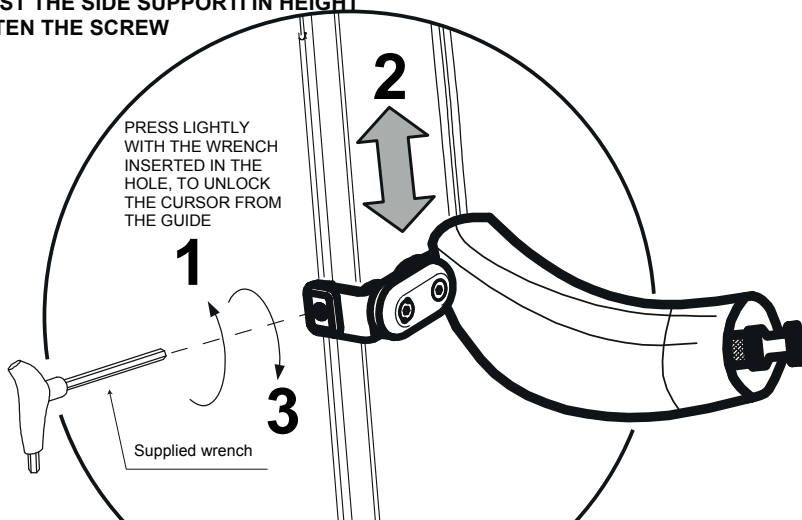
### A ASSEMBLY

1. 2. INSERT THE CURSOR IN THE GUIDE
3. INSERT THE SIDE SUPPORT ON THE CURSOR AND TIGHTEN THE SCREW (by inserting the wrench into the indicated hole)



### B HEIGHT ADJUSTMENT

1. LOOSEN THE INDICATED SCREW (by inserting the wrench into the indicated hole)
2. ADJUST THE SIDE SUPPORT IN HEIGHT
3. TIGHTEN THE SCREW

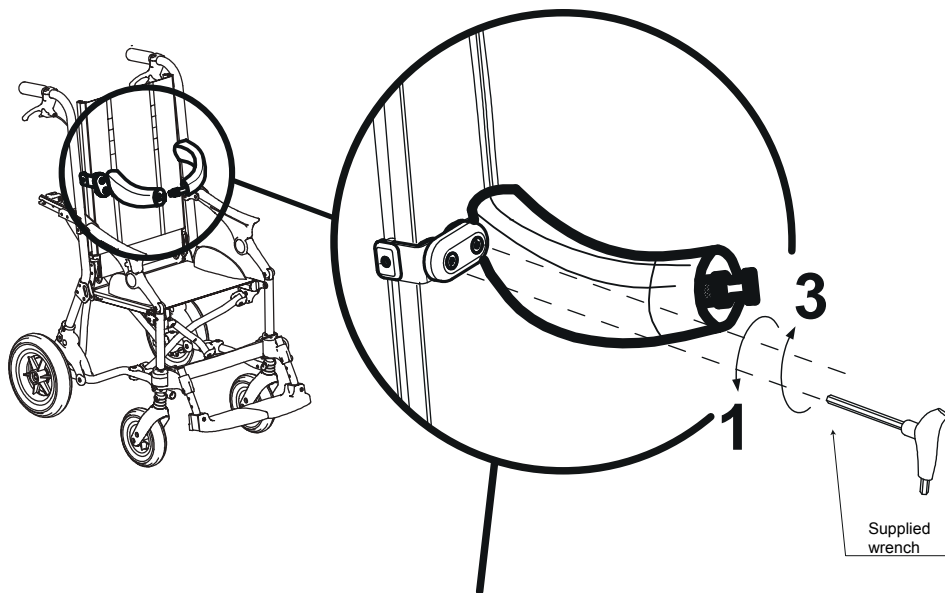




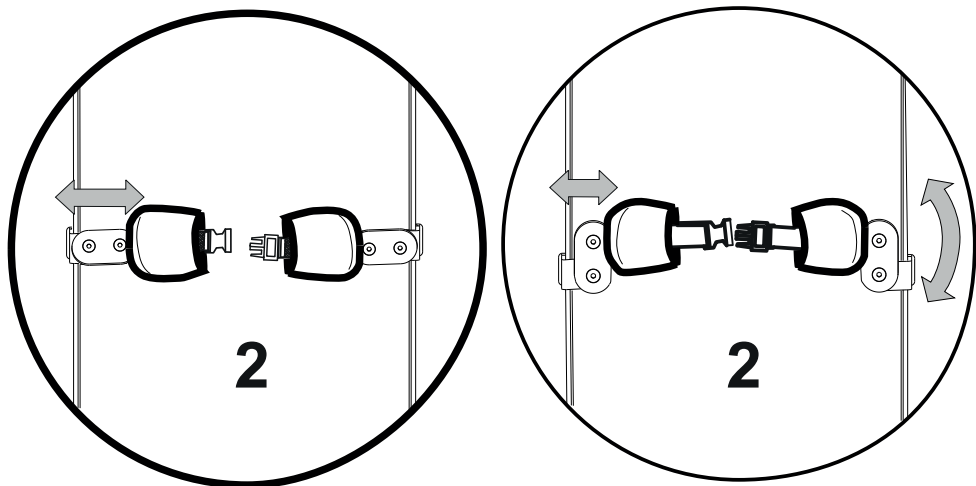
## B. WIDTH AND TILT ADJUSTMENT

1. LOOSEN THE INDICATED SCREWS
2. ADJUST THE SIDE SUPPORT IN WIDTH AND TILT
3. TIGHTEN THE SCREWS

SUPPLIED WRENCH



BACKREST FRONT VIEW

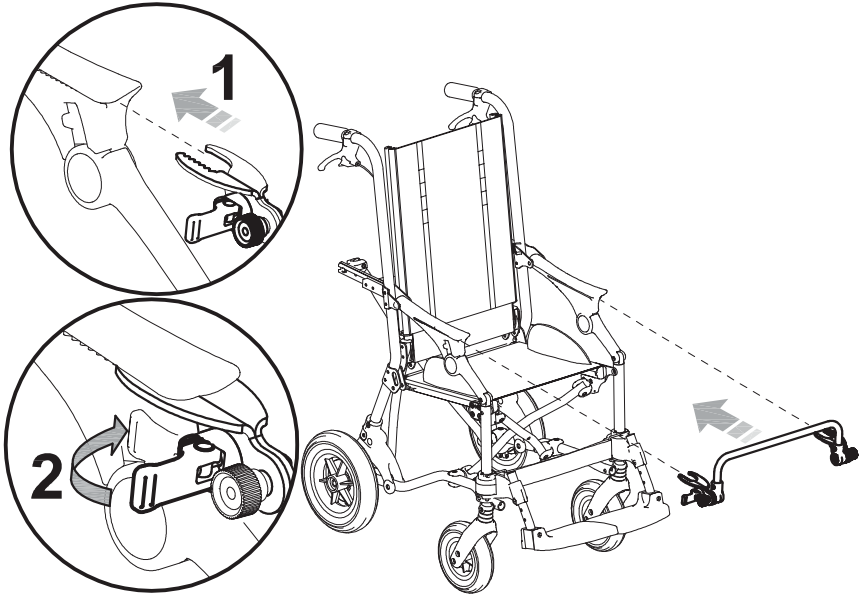




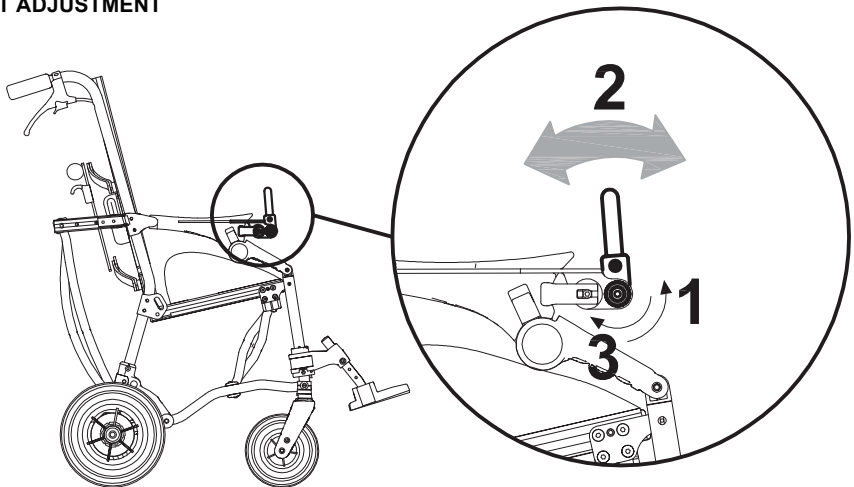
## HANDLEBAR 839

Tilt adjustment

### A. ASSEMBLY

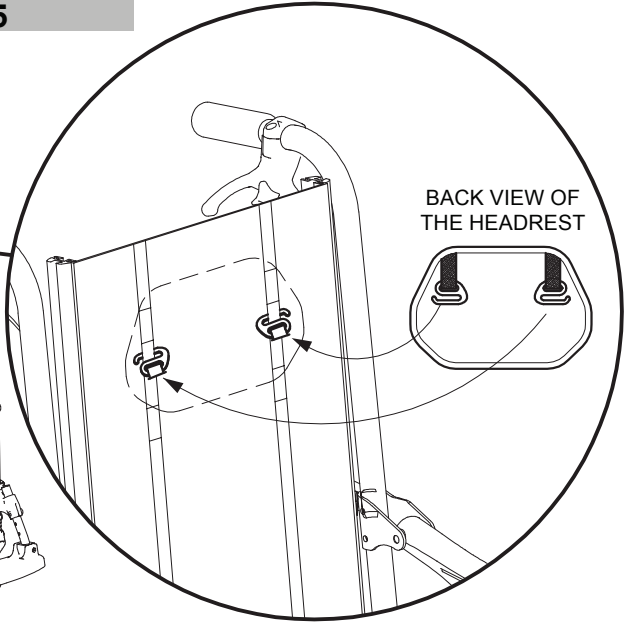
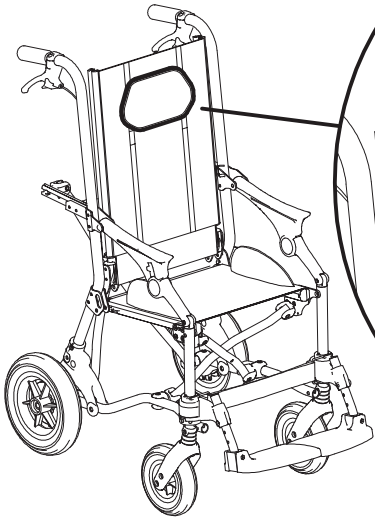


### B. TILT ADJUSTMENT

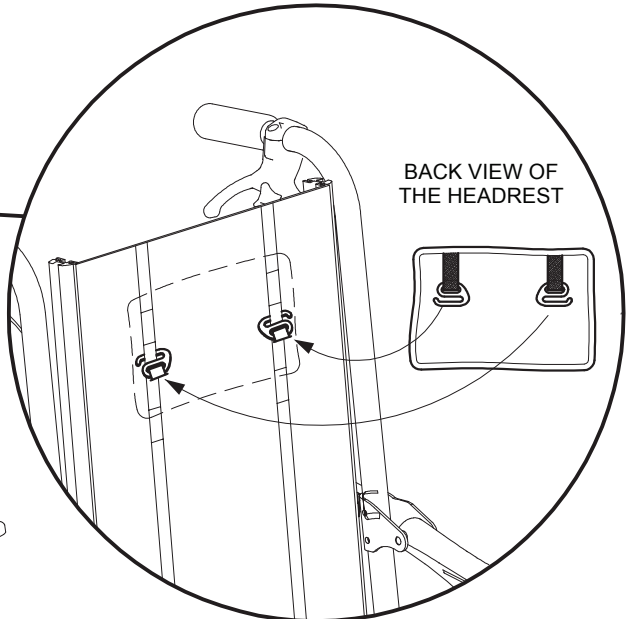
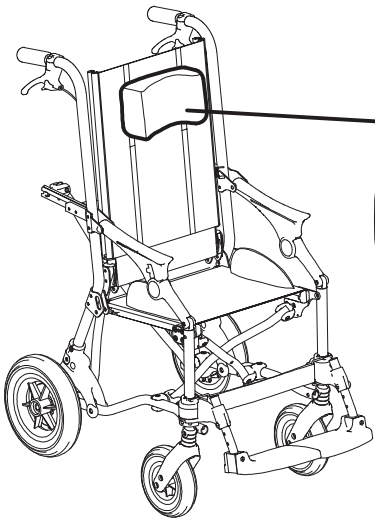




## PADDED HEADREST 865



## SHAPED and ENVELOPING HEADREST 835

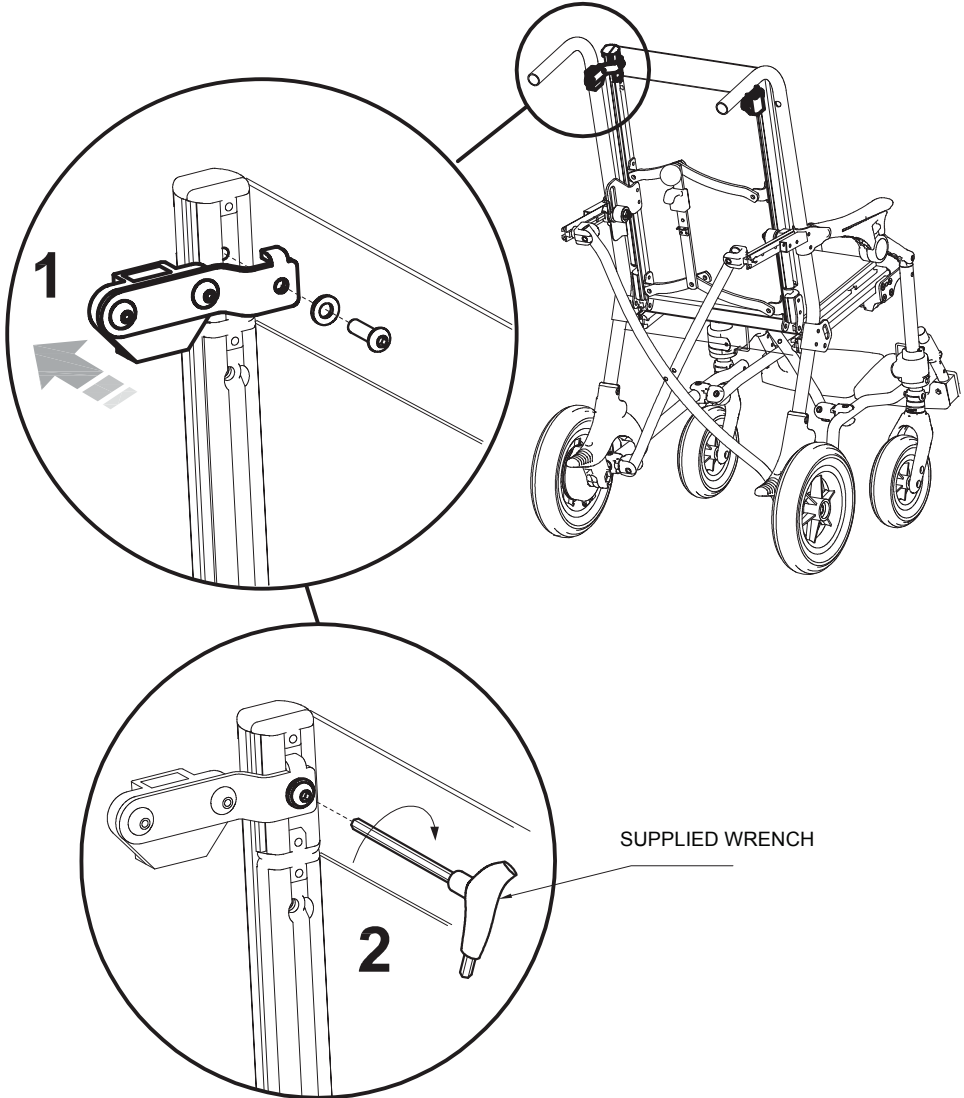


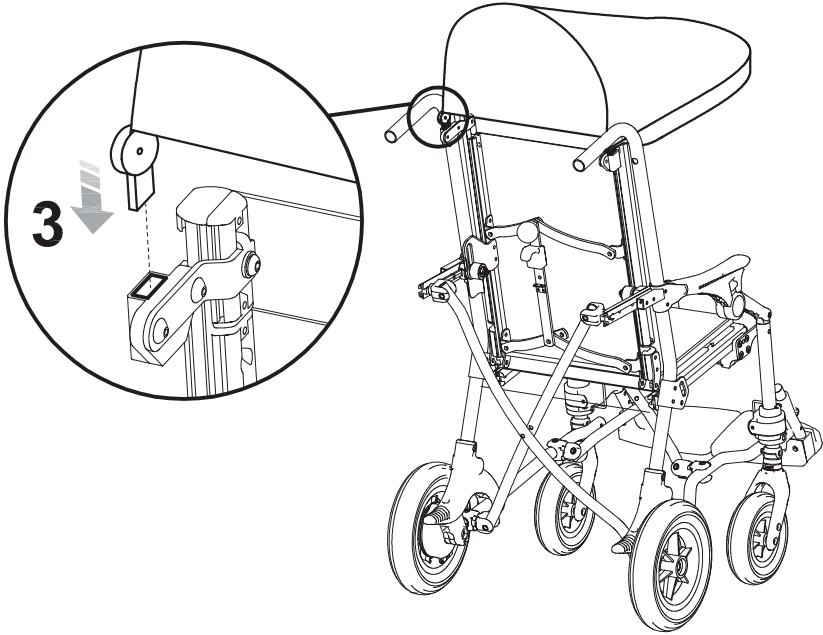


## CANOPY 819

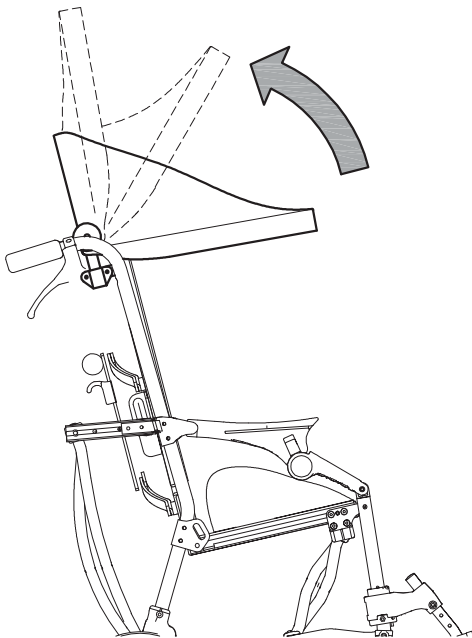
### A. ASSEMBLY

1. INSERT THE RIGHT AND LEFT ATTACKS AS INDICATED
2. TIGHTEN THE SCREWS
3. INSERT THE CANOPY





**B. CLOSURE**







## RAIN COVER 825

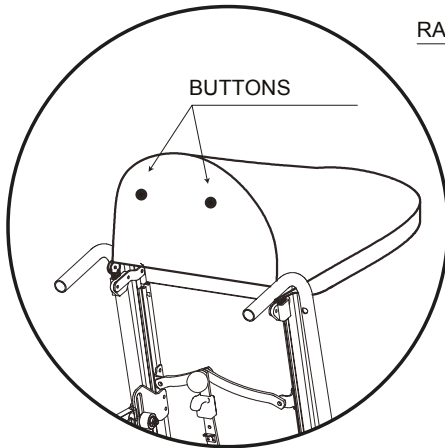
The rain cover can only be mounted after positioning the 819 canopy

1. FASTEN THE RAIN BAG WITH THE TWO BUTTONS ON THE BACK OF THE CANOPY
2. OPEN THE ZIP OF THE POUCH
3. REMOVE THE RAIN COVER FROM THE CARRIER AND PLACE IT IN SUCH A WAY AS TO COVER THE STROLLER
4. ATTACH THE RAIN COVER TO THE FRAME BY MEANS OF ELASTIC BANDS

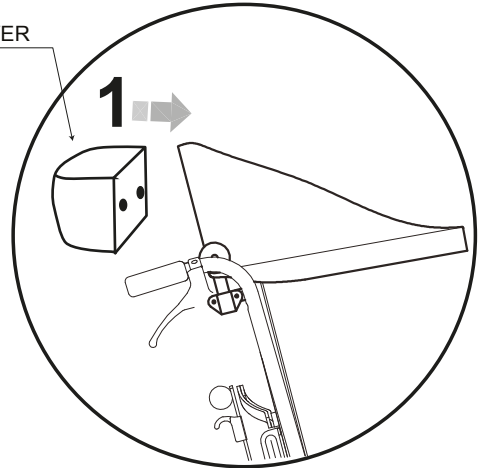
### A. ASSEMBLY

BACK VIEW OF THE CANOPY

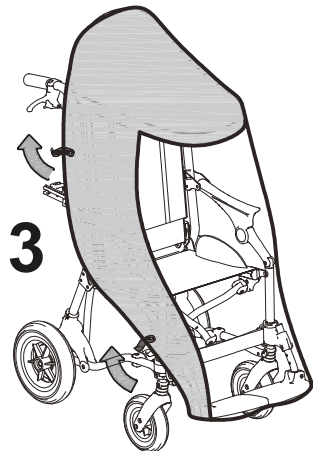
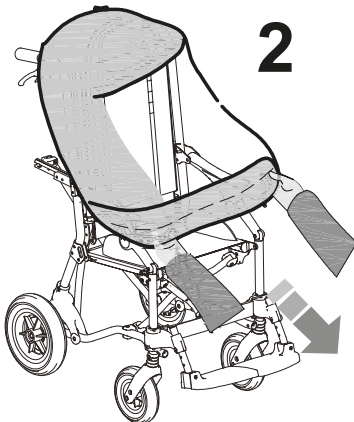
LATERAL VIEW OF THE CANOPY



RAIN COVER



### B. OPENING

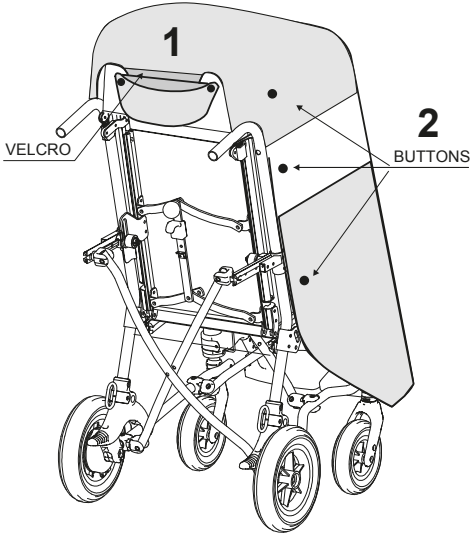




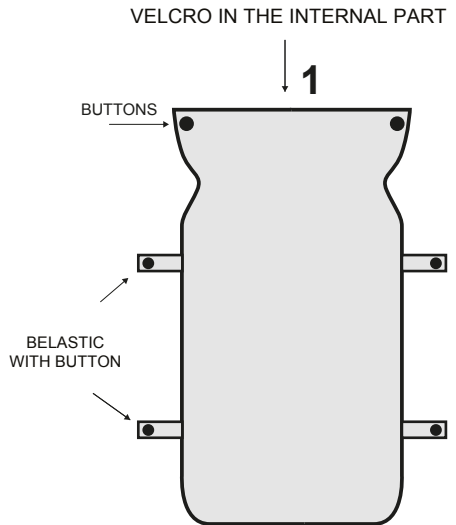
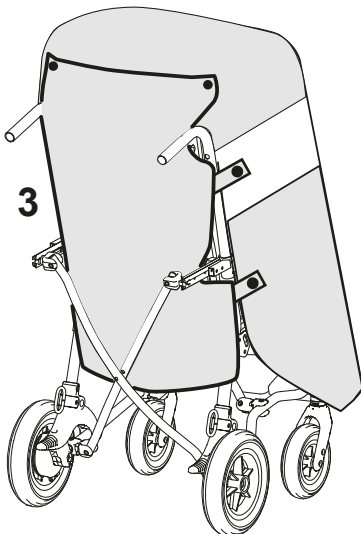
## BACK PROTECTION CLOTH 825B

Can only be used with rain cover 825

1. HOOK THE CLOTH ON THE UPPER PART OF THE RAIN COVER WITH THE VELCRO
2. ATTACH THE CLOTH TO THE RAIN COVER, ON BOTH SIDES, BY MEANS OF THE 6 SPOOLS
3. BACK PROTECTION CLOTH MOUNTED

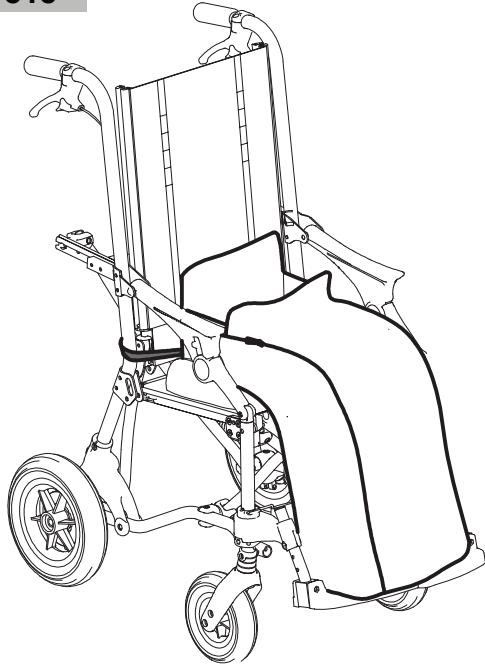


BACK VIEW OF THE CANOPY WITH RAIN COVER MOUNTED

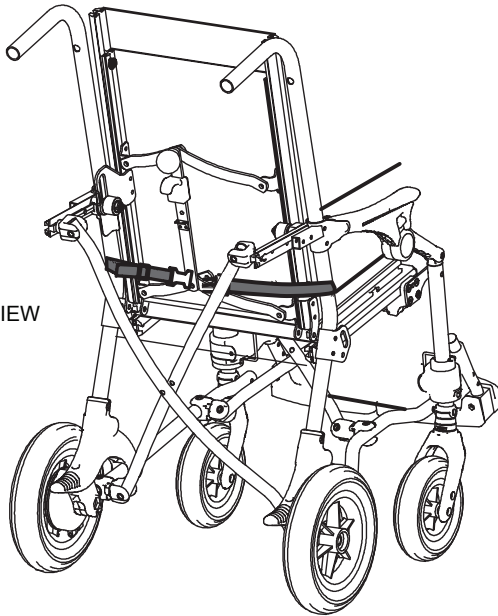




## THERMIC COVER 818



BACK VIEW

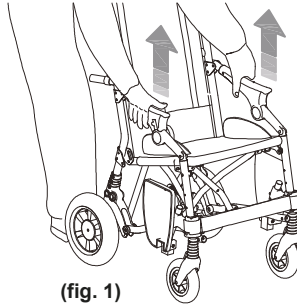




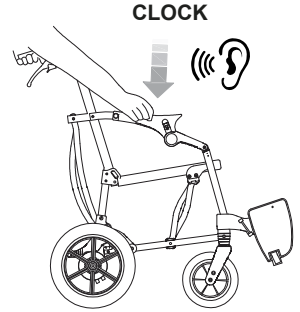
## PADDED ABDUCTION BLOCK 834

Before inserting the Abduction block it is advisable to close the stroller slightly (fig. 1)

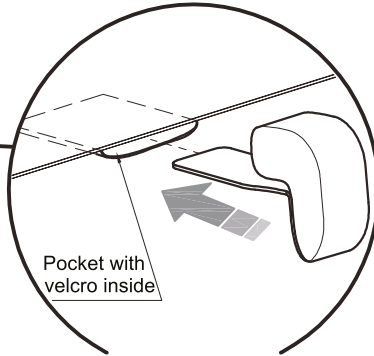
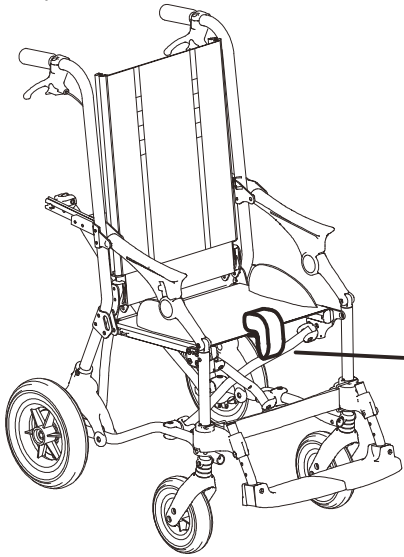
Remember to lock the armrests again, before using the stroller (fig. 2)



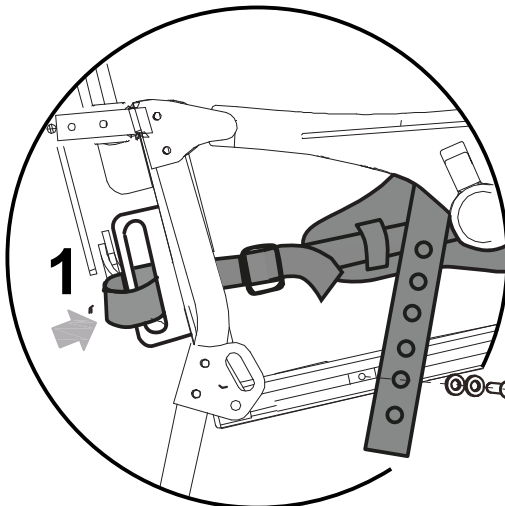
(fig. 1)



(fig. 2)

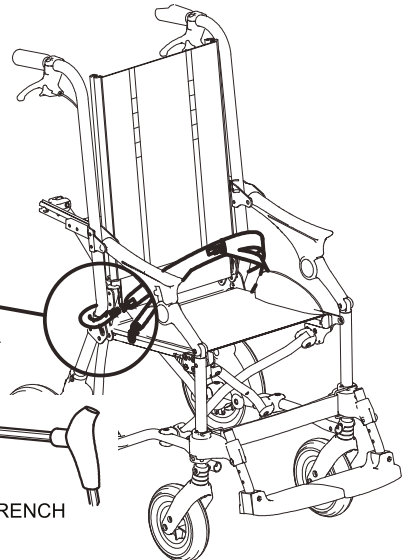


## 4 POINT PELVIC BELT 920



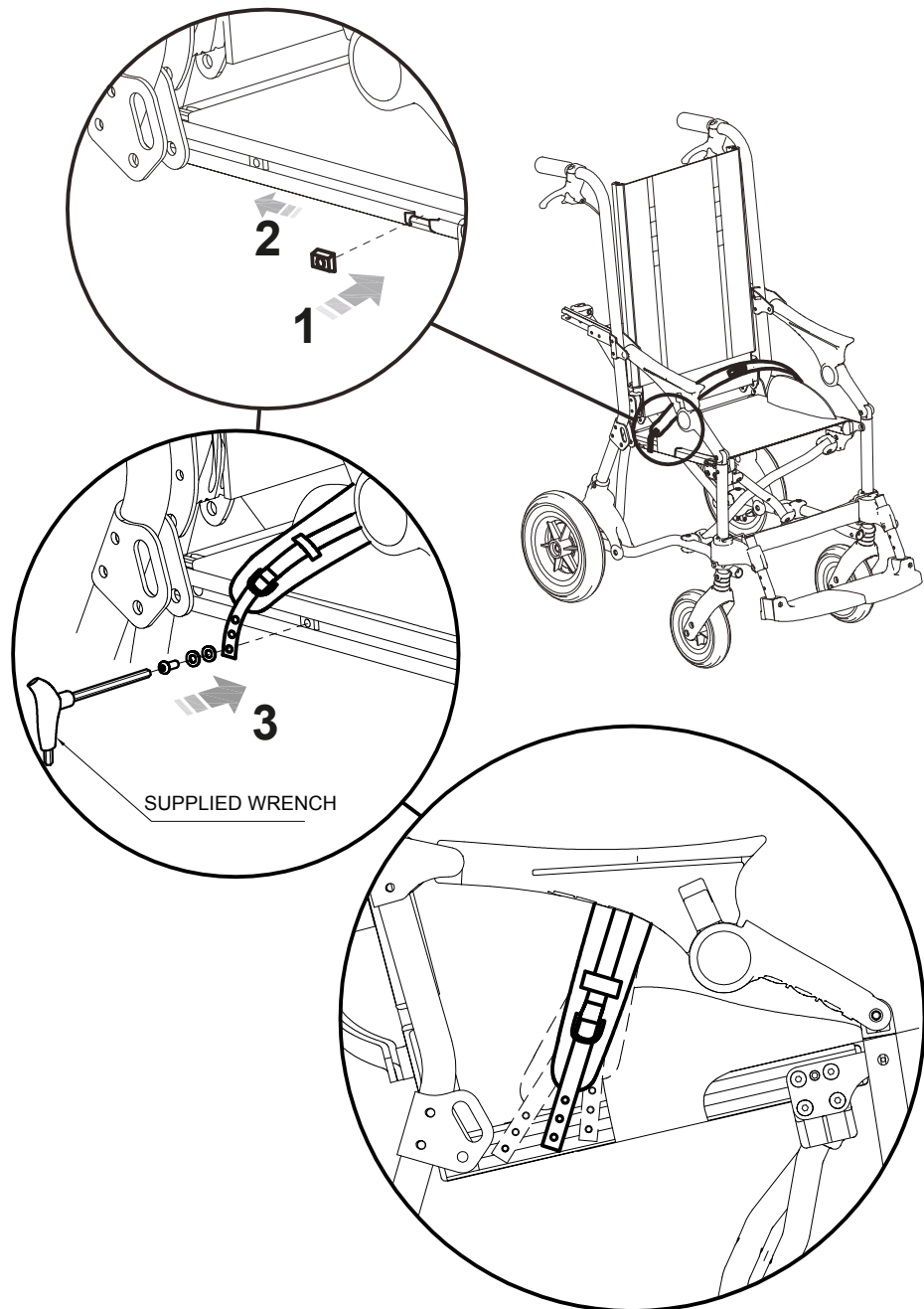
2

WRENCH



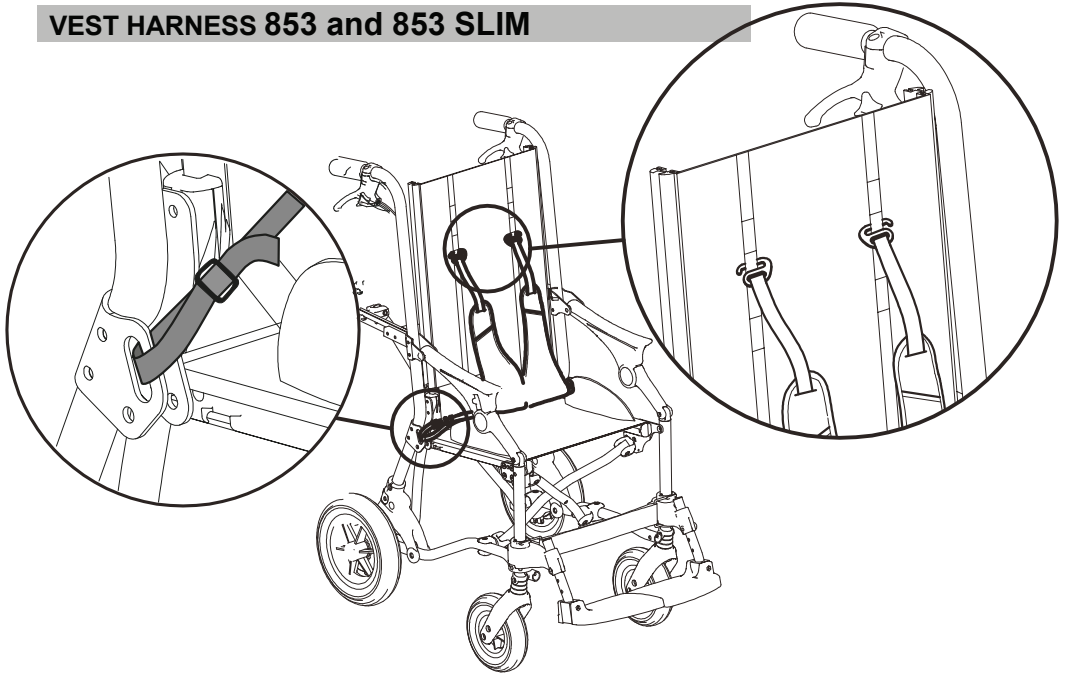


## PELVIC BELT WITH VARIABLE ANGLE(from 45° to 90°) 947

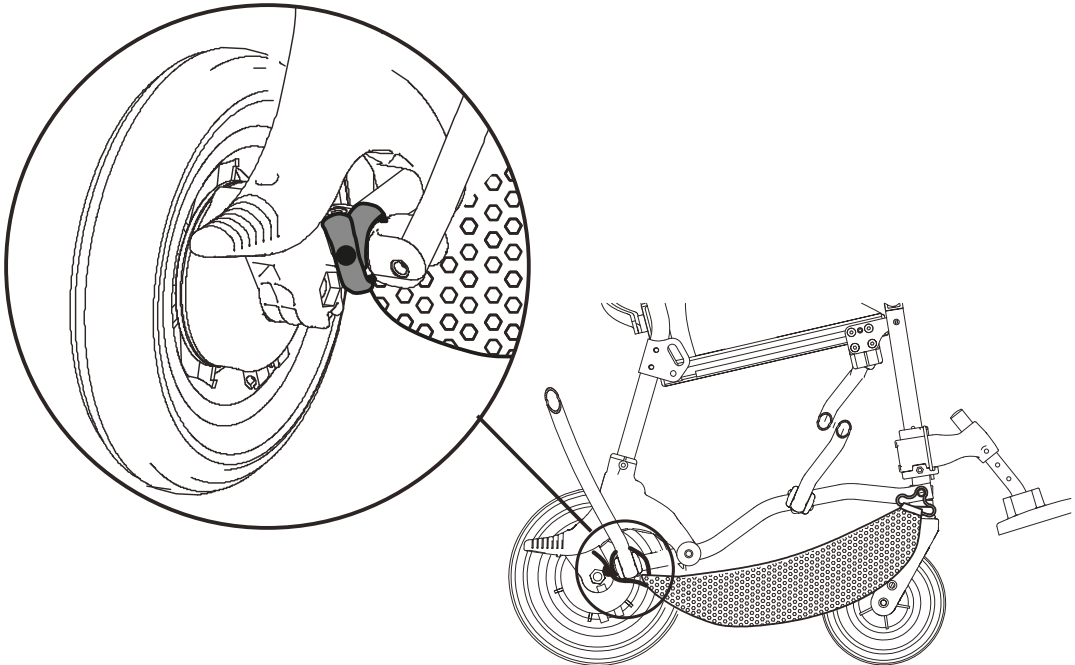




## VEST HARNESS 853 and 853 SLIM



## SHOPPING BASKET 858





## 891 TIEDOWN HOOKS (4 RINGS)



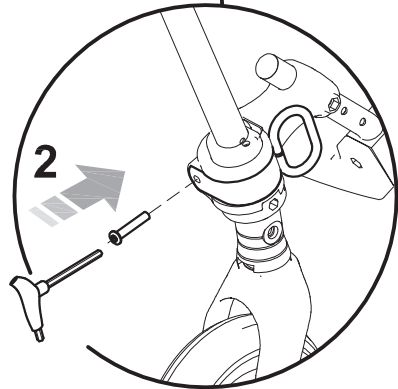
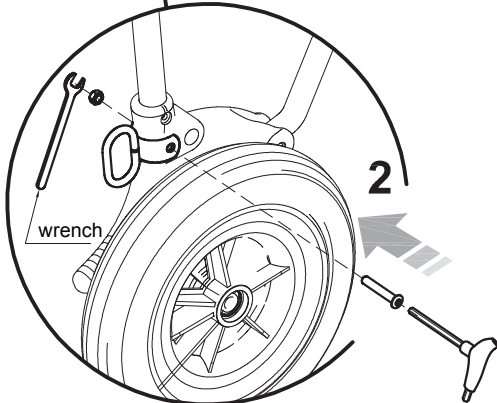
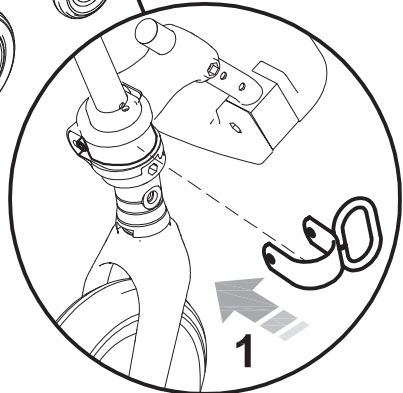
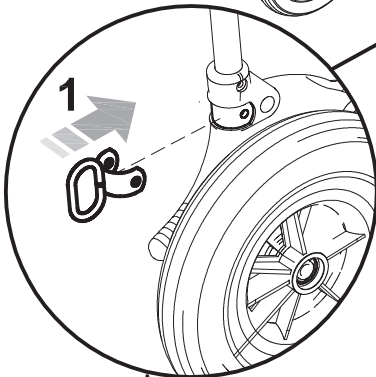
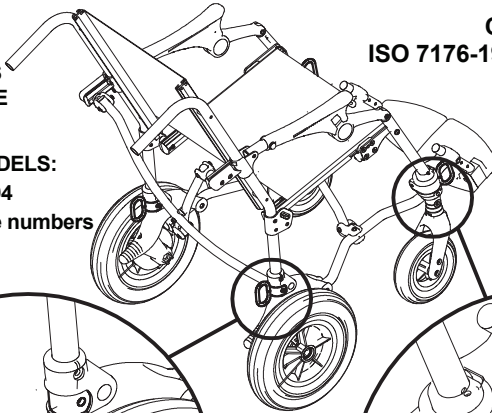
**ATTENTION:** The 891 tiedown hooks are safety devices and, as such, they must be fixed to the frame by skilled personnel, such as the manufacturer or reseller that supplied the STROLLER

- suitable for ISO 10542-approved four-point straps provided in the vehicle. To anchor the STROLLER to the transport vehicle, see the instructions on page 14
- the child must wear both a lap belt and a diagonal shoulder belt ISO 7176-19- or ISO 10542-approved (i.e., belts with a label of conformity to these ISO standards). Postural belts are not approved for use as restraint systems
- the vehicle must be suitable for transporting orthopaedic STROLLER in conformity with current law
- read the warnings and instructions provided on page 5 of this use and maintenance manual.

**MOUNTING  
THE ANCHORS  
ON THE FRAME**

**CRASH TESTED  
ISO 7176-19 and ANSI RESNA WC/19**

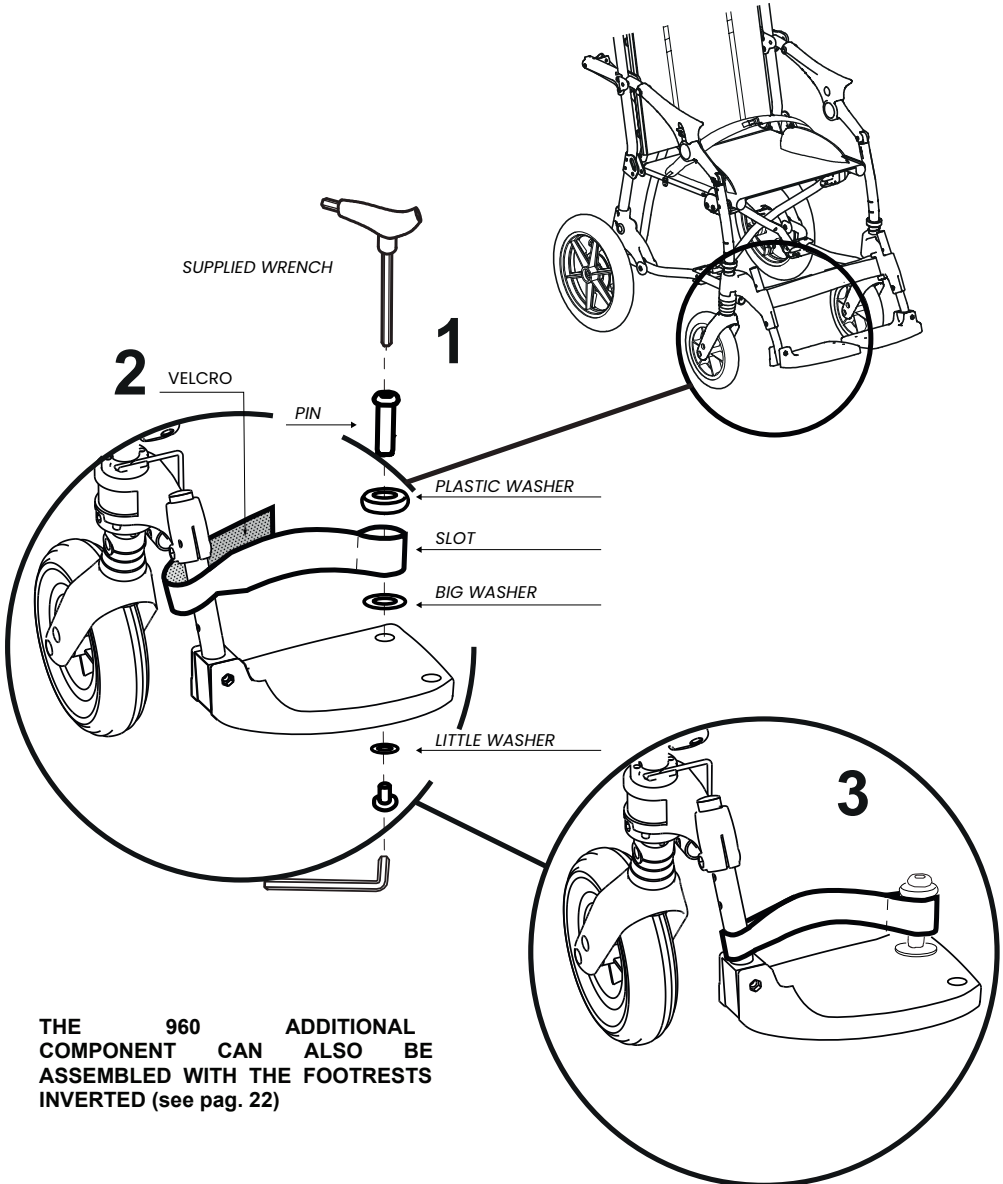
**APPROVED MODELS:  
from SN 22 02294  
And progressive numbers**





## HEEL RESTS 960

1. SCREW THE PIN ON THE FOOT REST BY IN THE SLOT BETWEEN THE TWO WASHERS
2. PLACE THE VELCRO STRAP ON THE FOOTREST
3. HEEL REST MOUNTED



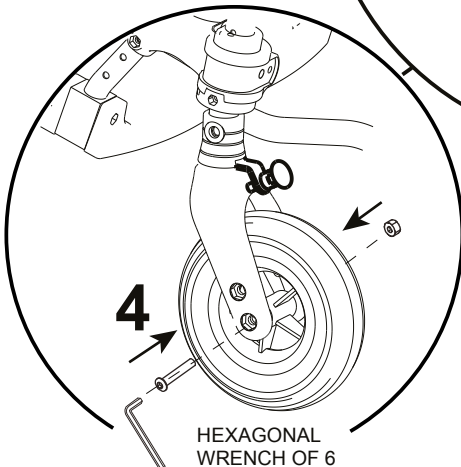
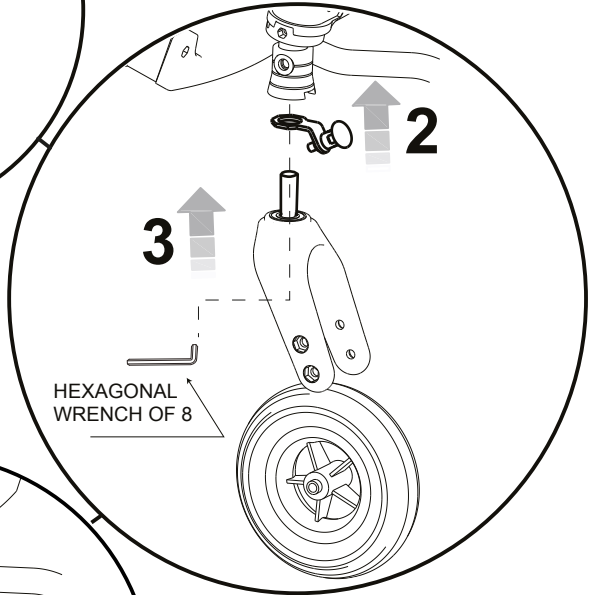
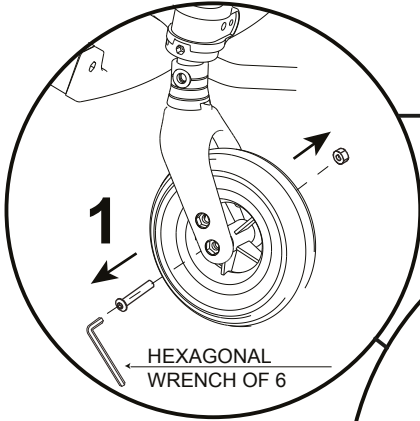
THE 960 ADDITIONAL COMPONENT CAN ALSO BE ASSEMBLED WITH THE FOOTRESTS INVERTED (see pag. 22)





## FRONT WHEEL DIRECTION LOCKS 812

1. REMOVE THE FRONT WHEEL
2. INSERT THE WHEEL DIRECTION LOCKER IN THE WHEEL CARRIER SEAT
3. TIGHTEN THE FORK AND REASSEMBLE THE WHEEL
4. FRONT WHEEL DIRECTION LOCKER MOUNTED

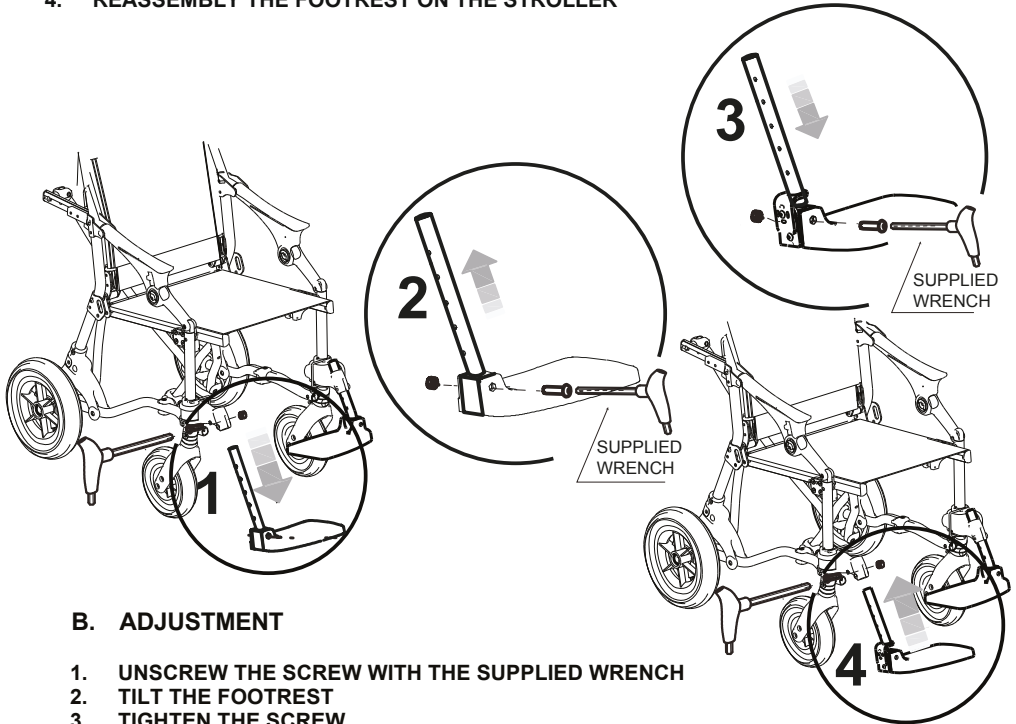




## FOOTREST ADJUSTABLE IN TILT 956

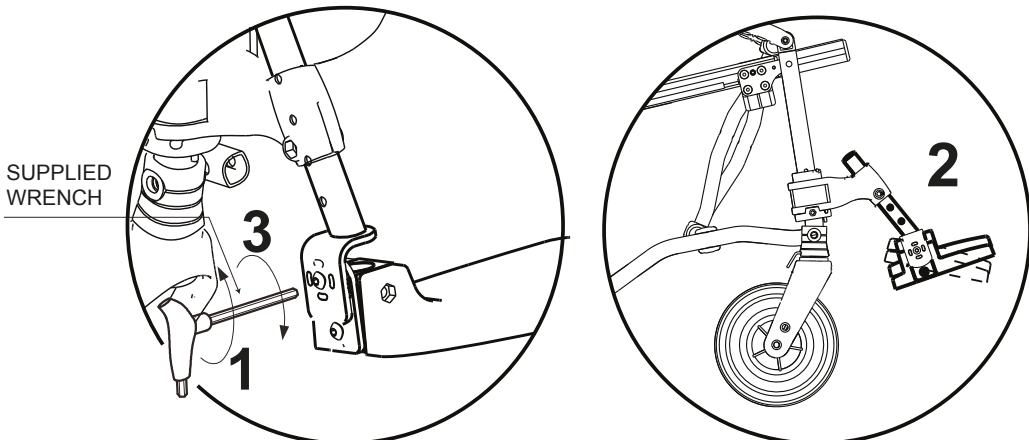
### A. ASSEMBLY

1. UNSCREW THE SCREW AND REMOVE BOTH SUPPLIED FOOTRESTS
2. REMOVE THE FOOTREST FROM THE INDICATED BAR
3. ASSEMBLE THE 956 COMPONENT (BAR AND JOINT) ON THE FOOTREST
4. REASSEMBLY THE FOOTREST ON THE STROLLER



### B. ADJUSTMENT

1. UNSCREW THE SCREW WITH THE SUPPLIED WRENCH
2. TILT THE FOOTREST
3. TIGHTEN THE SCREW





## ADJUSTABLE PUSH HANDLES 951

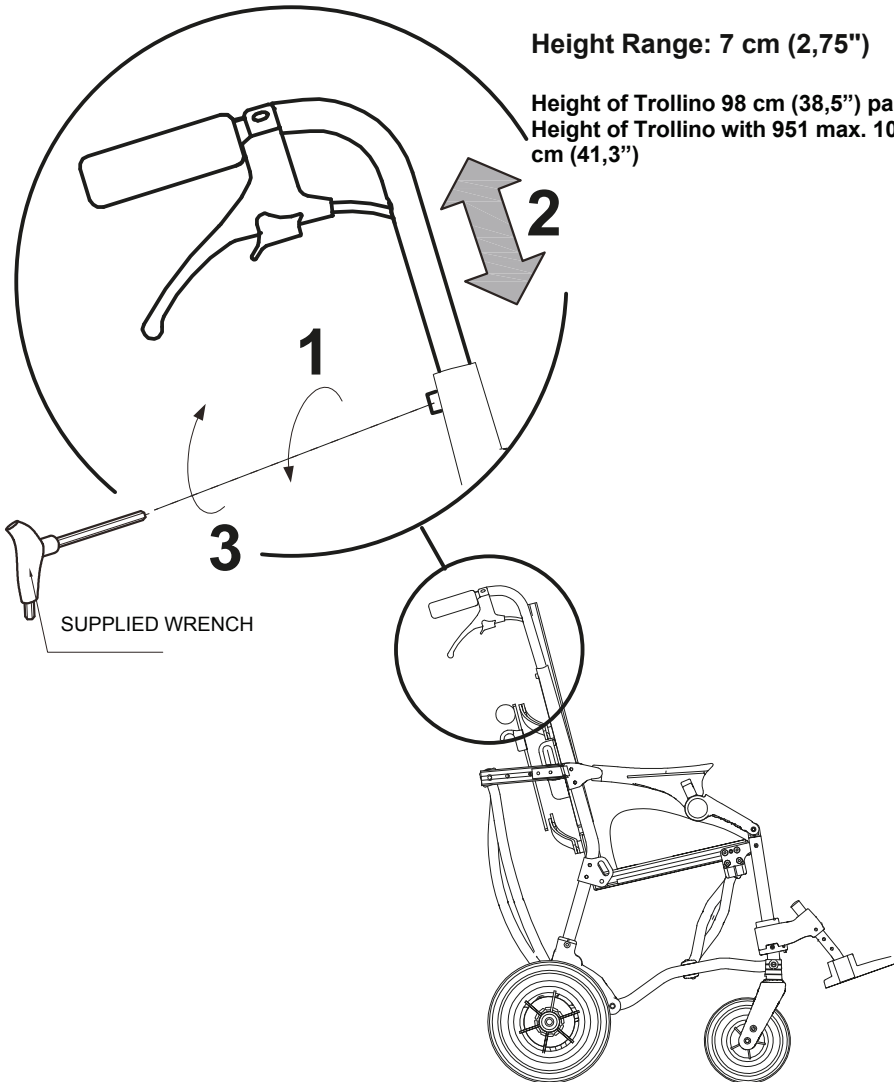
TO BE ORDERED WITH THE PRODUCT

### HEIGHT ADJUSTMENT

- 1) LOOSEN THE SCREWS
- 2) POSITION BOTH HANDLES AT THE DESIRED HEIGHT
- 3) TIGHTEN THE SCREWS

Height Range: 7 cm (2,75")

Height of Trollino 98 cm (38,5") pag. 18  
Height of Trollino with 951 max. 105 cm (41,3")





## **PADDED SIDE PROTECTION COVERS 844**

**Closable with zip around the frame and can be attached on the backrest with buttons**





## CLEANING, DISINFECTION, SANITIZATION

### INFORMATION

**SANIFICATION** is the complex of cleaning and / or disinfection procedures and operations

The **CLEANING** is a physical and mechanical process (i.e., rubbing) with which a large part of potential pathogenic microorganisms (bacteria, fungus, or virus), further to the visible dirt, is removed from the surface.

The combination of mechanical action with other factors such as the use of detergents (chemical action), temperature and duration can efficiently and sufficiently reduce the microbial load of the product.

**DISINFECTION**, after cleaning and cleansing, further reduces the number of microorganisms on a surface and it eliminates pathogenic microorganisms, ie bacteria causing disease and viruses.

Products that on the label bear the authorization / registration Number of the Ministry of Health or other competent authority of an EU member State. are "disinfectants". Each disinfection action must always be preceded by a cleaning and cleansing operation, since dirt reduces the activity of the disinfectant. **DRYING** is essential because microbial growth can occur in the residual aqueous film.

**CHEMICAL PRODUCTS WITH VIRUCIDAL-GERMICIDAL-FUNGICIDAL EFFICACY** are available on the market for hospital equipment. These products are effective in cold conditions, able to perform cleaning (elimination of dirt) and disinfection (elimination of pathogenic microorganisms, i.e. bacteria causing disease) in a single operation. and viruses).

Removable **UPHOLSTERIES** of additional components are washable respecting the symbols on the label. Washing is an extraordinary sanitation measure Replace them when worn / difficult to sanitize.

The **SUPPORTING UPHOLSTERY is not removable and it can be washed following the instructions in Section 4.1**

- Avoid prolonged contact with acidic or basic solvents and detergents;
- Do not use washing processes or abrasive products that may damage the product;

### WARNINGS

**Read the TECHNICAL SHEET of the chemical product** to verify that **it is suited** to be used on chrome plated/varnished surfaces and on plastic components in PVC, PA, PP and to test on a small surface to ensure that it does not damage the medical device.

For an effective operation, it is important to **RESPECT THE POSOLOGY and TIMES OFACTION** indicated on the product **LABEL**.

**Use the PPE** (gloves, FFP mask, visor, etc...) required on the product **LABELP**








**The operations of sanitization must be performed without the user inside the device. Do not use compressed air**, which can cause aerosol and contamination of possible virus and bacteria in the environment and on his own person.



During the Covid-19 epidemic, the contaminated PPE (gloves, gowns, glasses, masks, caps, etc...) must be **thrown away in the general waste bin**, unless otherwise indications by the belonging municipality



## PROCEDURE

Activities	Cadence	Description
<b>4.1 CLEANING and CLEANSING</b>	<b>daily or weekly</b> based on intensity of use and biological risk (patient with particular sweating, salivation; pandemic or endemic emergency period eg Covid-19)  <b>Before disinfection</b>	Soak a sponge or a clean disposable cloth (colorless and non-abrasive) with neutral detergent previously diluted in warm water (max. 40°). It is advisable to let the detergent act for a few minutes. Rub upholstery, frame, additional components and finally wheels. If necessary rub the surface with brushes having only soft bristles. Remove any traces of product by wiping with a clean damp sponge or cloth. Dry with a clean soft cloth. Proceed with any disinfection
<b>4.2 DISINFECTION</b>	<b>Before Re-using the product with a new user</b>	Spray a virucidal / germicidal / fungicidal chemical product for hospital equipment that is effective cold on a clean disposable cloth. Rub the upholstery, the frame and the clean accessories (4.2) finally the wheels, until complete evaporation.
<b>4.3 WASHING</b>	<b>Based on use</b>	Respecting the following indications and the washing labels to wash the removable <b>UPHOLSTERY of the additional components</b>  Machine wash with neutral soap temperature. 40°. Delicate cycle  Do not bleach  Do not iron  Do not tumble dry   Dry horizontally. <b>PADDED UPHOLSTERIES</b> require <b>EFFICIENT DRYING IN A VENTILATED or HEATED ENVIRONMENT</b> for a 6-10 hours  For an <b>ANTIVIRAL DISINFECTANT</b> action, a <b>SPECIFIC CHEMICAL PRODUCT</b> can be added to the normal washing cycle; washing at a high temperature (60 ° C) is possible as long as occasionally, as the upholstery may wear out.



<b>4.4 SANITIZATION WITH PERCARBONATE</b>	<b>Based on use</b>	<p><i>The percarbonate is a natural product of mineral origin that is commercially available; when dissolved in water, it releases active oxygen already at 30 ° with disinfectant, antibiotic and antibacterial action.</i></p> <p><b>For a sanitizing action during the cleaning of the frame and the washing of the harness and removable upholsteries, you can add 1 teaspoon of percarbonate &gt; 30% to the detergent:</b></p> <ul style="list-style-type: none"><li>- In the washing machine: add 1 teaspoon of percarbonate in the drum together with the detergent.</li><li>- By hand/ for the frame cleaning: dissolve 1 teaspoon of percarbonate in the bowl together with the detergent, proceed with the washing, and cleansing.</li></ul> <p><b><u>WARNING!</u></b> <b><u>When washing / cleaning the fabric it is recommended not to mix sodium percarbonate with acids (for example: Vinegar, Lemon), as it could create chemical reactions that could damage it.</u></b></p>
---	---------------------	---



## MAINTENANCE

The execution of all maintenance operations is necessary to maintain the correct functionality and safety of the medical device.

### 1. ORDINARY MAINTENANCE (monthly)

Carry out the checks and periodic maintenance operations as indicated below.



Maintenance and replacement of parts or additional components must be carried out without the user sitting in the stroller



Intensify all checks in marine environments, clean more often, anoint the parts exposed to salt corrosion (such as chrome, bolts and screws).

PART	DESCRIPTION/INTERVENTION	MODE
WHEELS	<ul style="list-style-type: none"><li>Remove any dust and dirt from the wheels to maintain smoothness and braking efficiency.</li><li>Check that the wheels turn freely.</li></ul> <p>▪ check that there are no deformations and/or splits.</p> <p>If unsuccessful, contact your dealer or distributor for replacement with an original component.</p>	functional/visual test
BRAKES	<ul style="list-style-type: none"><li>Check the efficiency of the braking system and the operation of the relative mechanisms as reported in the user manual.</li></ul> <p>If unsuccessful, contact your dealer or distributor for replacement with an original component.</p>	functional test
BOLTS / SCREWS	<ul style="list-style-type: none"><li>Check the tightness of the bolts and screws; if loose, tighten them with the supplied wrench</li></ul>	Visual/ tools
LOCKING OF THE FRAME	<ul style="list-style-type: none"><li>Open the stroller by pushing both armrests fully down and check for the presence of the "CLOCK signal". (see pag. 20)</li><li><u>Once the stroller has been opened, push down with one hand on the seat and with the other hand check that each armrest remains locked</u> (i.e. that both CLOSING LEVERS remain in position).</li></ul> <p>If unsuccessful, discontinue use and contact your dealer or distributor for replacement with an original component.</p>	functional test
BACKREST/SEAT	<ul style="list-style-type: none"><li>Check for any visible damage or deterioration of the SUPPORTING UPHOLSTERY.</li></ul> <p>If unsuccessful, discontinue use and contact your dealer or distributor for replacement with an original component.</p>	visual





<b>ADJUSTMENT AND OPENING/CLOSING MECHANISMS</b>	<ul style="list-style-type: none"><li>▪ check the smooth operation of the <b>MOVING PARTS</b> and keep them clean from dust and dirt in order to avoid friction that could compromise correct functioning. If unsuccessful, lubricate them with commercial silicone dry oil following the instructions on the container label. After lubrication, fully dry the treated parts using a soft cloth to remove any residual grease</li><li>▪ Check the tightness of the adjustment mechanisms. If unsuccessful, contact your dealer or distributor for replacement with an original component.</li></ul>	functional/visual test
<b>PRODUCT INTEGRITY</b>	<ul style="list-style-type: none"><li>▪ Check the presence of all parts and components described in the manual.</li><li>▪ Check the frame and ensure the absence of oxidised parts as well as the uniformity of the paint work on the support or tightening elements. If unsuccessful, contact your dealer or distributor for replacement with an original component.</li></ul>	Visual/ tools

## 1. PREVENTIVE MAINTENANCE (biennial)

The Manufacturer recommends a **COMPLETE REVIEW** of the product, in order to verify it according to the specific use and to maintain the initial performances for all its lifetime.

This activity can be carried out by the Dealer who supplied the product or by an **SERVICE CENTER**, specialized in the maintenance of mechanical aids for people with disabilities and includes:

- 1) The general verification of the product, the integrity of the components and the locking of the mechanical parts, the smoothness of the moving parts
- 2) Performance verifications
- 3) The possible interventions aimed to restore the correct functionality
- 4) Mechanical control (in case of mechanical repairs)
- 5) Sanitization

The person who performed the maintenance is required to issue **A REPORT WITH THE EVIDENCE OF THE INTERVENTIONS (VERIFICATIONS, REPAIRS, CONTROLS, SANITIZATIONS)**



## **2. EXTRAORDINARY MAINTENANCE (or corrective)**

**EXTRAORDINARY MAINTENANCE** are all operations done on the product other than regular or preventive maintenance (mentioned above).

Extraordinary maintenance must be carried out by the Dealer who supplied the product or by another subject indicated by the Manufacturer or the Distributor of the ORMESA products in the country of destination.

The interventions must be performed with **ORIGINAL REPLACEMENTS PARTS** of the manufacturer

Modifications of the product **ARE NOT ALLOWED**, except for those of possible configurations provided on the brochure

For each maintenance work, the following must be performed:

1. The general verification of the product, the integrity of the components and the locking of the mechanical parts, the smoothness of the moving parts
2. Performance verifications
3. Mechanical control (in case of mechanical repairs)
4. Sanitization

**THE MANUFACTURER** or the **AUTHORIZED PARTY** must issue **A REPORT WITH EVIDENCE OF THE INTERVENTIONS (CHECKS, REPAIRS, TESTS, SANITATION) CARRIED OUT.**

---

## **DISPOSAL**



Comply with current local rules and do not dispose of old products in normal household waste but separately at appropriate collection points.

The correct disposal of the product helps to avoid possible negative consequences for the health of the environment and human being. A benefit to the environment for the benefit of the entire community.

---

## **ASSISTANCE AND SPARE PARTS**

For service and replacement parts, only contact the retailer where you purchased the product.



## **CONDITIONS FOR DURABILITY, REUSE AND REASSIGNMENT TO A NEW USER**

**Granted that Ormesa products should be selected, evaluated and ordered for the needs of an individual user, reuse is however possible with the respect of the following conditions.**

Based on the experience of other similar sold models, on technological progress, on the guarantees of the Quality Management System certificated in 1998 according to ISO 13485, there is adequate confidence that **the average lifespan of TROLLINO is about 5 years, on condition that it is used according to the directions given in the user manual.**

Only when the conditions for storage and transport of chapter **HOW TO STORE AND TRANSPORT THE MEDICAL DEVICE**” are followed, the periods in which the product is stored at the dealer should not be considered in that time period

**Factors unrelated to the product such as the development of the user, its diseases, the use and the surrounding environment can make significantly lower the duration of life of the product; on the contrary, if the indications on the use and maintenance are properly observed, the reliability of the product can extend well beyond the lifetime average above.**

**Prior to recycling or reassignment an already used Ormesa product, it is required that:**

- 1. a doctor or therapist verifies that the medical device is appropriate and adequate to meet the dimensional, functional and postural needs of the new user, and if all its components are suitable / appropriate for him. You should also consider that the CE-marking and the manufacturer's responsibility for safety requirements for the product remain only if the original product still has not changed and only original accessories or spare parts have been applied**
- 2. qualified technical personnel of a company specialized in the maintenance of technical aids for disabled people performs a detailed technical inspection to verify its condition and wear, the absence of any damage and failure of all components / adjustments, the presence of the user's manual, of the label with the date and serial number. A copy of the manual and maintenance may be always requested to the retailer that supplied the product or directly to Ormesa**
- 3. The product has been thoroughly cleaned and disinfected following the directions given in the “MAINTENANCE, CLEANING AND DISINFECTION” Chapter**

We recommend to keep written records on all inspections performed on the product before any assignment to the new user.

**In case of doubt about the safety of the product or damage to parts or components, you are urged to immediately discontinue use and contact the Dealer who supplied you with the product; the Distributor or the Manufacturer are at your disposal for any further doubt or assistance.**





**Ormesa srl** Via delle Industrie, 6 - Z.I. Sant'Eraclio - 06034 FOLIGNO (PG) ITALY  
P.I. IT 00574020541 C.C.I.A.A. Perugia 119215 Iscr. Trib. Perugia 11907  
Tel. + 39 0742 22927 Fax +39 0742 22637 info@ormesa.com

**www.ormesa.com**

---

**COMPANY WITH  
QUALITY SYSTEM  
CERTIFIED BY DNV GL  
= ISO 13485 =**



**TROLLINO PASSED CRASH TEST**  
ACCORDING TO THE ISO 7176-19 E ANSI RESNA WC/19 STANDARDS

**DISTRIBUTOR FOR USA: INNOVATION IN MOTION**  
201 Growth Parkway ANGOLA, IN 46703  
P 1.260.665.2769  
F 1.260.665.3047  
Toll free number 800-327-0681  
E-mail: iim@mobility-usa.com

Authorized Dealer

The technical Data and information given in this handbook are not binding. ORMESA reserves the right to carry out any necessary change without prior notice or replacements

---