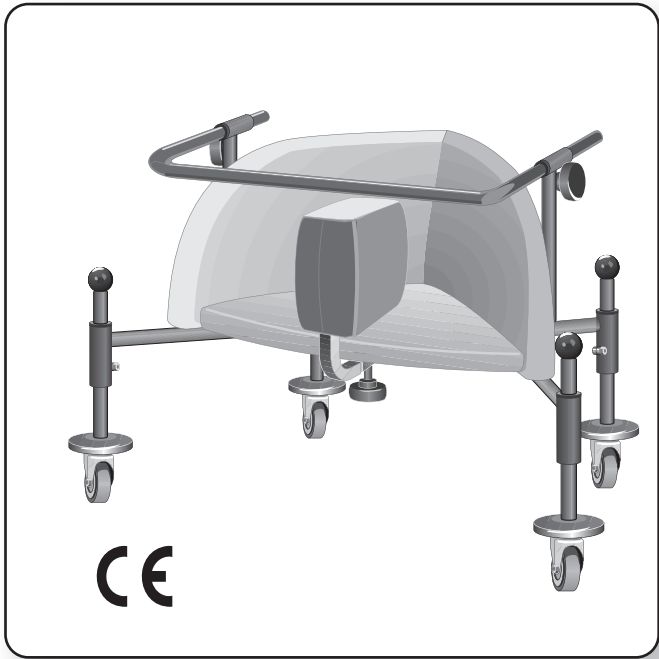


---

# BIRILLO

## SITTING WALKING FRAME



USE AND MAINTENANCE HANDBOOK





**ORMESA thanks you** for choosing the **BIRILLO** walker.

**BIRILLO** is a walker that combines attention to functionality with respect for the principles of ergonomics and safety.

**ORMESA s.r.l. recommends that you read this manual very careful to fully understand its contents.** In addition to helping you become familiar with **BIRILLO** quickly, it also contains practical tips for making the best use of it safely and keeping it in good working order.

Following the recommendations of this manual will help you achieve the rehabilitative goal for which this aid was developed.

If, after reading it, you still have questions, contact your retailer, who will be happy to help you, or call **INNOVATION IN MOTION** directly at 1.260.665.2769, send a fax to 1.260.665.3047 or send an e-mail to [iim@mobility-usa.com](mailto:iim@mobility-usa.com)

Luigi Menichini  
Managing Director



## TABLE OF CONTENTS

WARNINGS .....	2
WARRANTY .....	4
HOW TO STORE AND TRANSPORT THE MEDICAL DEVICE.....	4
SOME EXAMPLES OF WHAT NOT TO DO WITH BIRILLO .....	5
LABELS AND PLATES .....	5
INITIAL PREPARATION .....	6
TECHNICAL FEATURES.....	7
WHAT DOES BIRILLO DO? .....	8
HOW BIRILLO WORKS AND HOW TO USE IT .....	9
ADJUSTING THE HEIGHT OF THE BODY.....	11
ADJUSTING THE SPREADER WEDGE .....	11
ADJUSTING THE HEIGHT OF THE HANDLE .....	12
ADJUSTING THE DEPTH OF THE HANDLE.....	12
SOME TREATMENT SUGGESTIONS .....	13
MOUNTING AND ADJUSTMENT OF ACCESSORIES.....	17
INSERTING AND ADJUSTING THE TRAY.....	17
INSERTING AND ADJUSTING THE HEADREST.....	18
MAINTENANCE, CLEANING AND DISINFECTION.....	19
CUSTOMER SERVICE AND SPARE PARTS.....	20
CONDITIONS FOR DURABILITY, REUSE AND REASSIGNMENT TO A NEW USER.....	21

**WARNINGS**

- **CAREFULLY READ AND UNDERSTAND THE INSTRUCTIONS IN THIS MANUAL BEFORE USING THE DEVICE BECAUSE THEY HAVE BEEN WRITTEN WITH THE USER'S SAFETY IN MIND** and they will help the carer use the product safely and keep it in good working order. The Use and Maintenance Manual is an integral part of the product and must be carefully preserved for future reference.
- **THE MANUAL IS INTENDED FOR TECHNICALLY QUALIFIED RETAILERS, HEALTH CARE WORKERS, AND FOR USERS AND THEIR ASSISTANTS;** it provides instructions for using the product correctly and must be supplemented by adequate knowledge of the rehabilitation program for which it has been prescribed.
- The manual reflects the technical state of the product at the time it was sold. **ORMESA RESERVES THE RIGHT TO MAKE ANY CHANGES TO THE PRODUCT OR MANUAL** suggested by experience, technical considerations or regulatory developments without any obligation to update its previous production and relevant manual.
- **BIRILLO AND ITS ACCESSORIES MUST BE PRESCRIBED BY A MEDICAL SPECIALIST WHO WILL ALSO SUPERVISE ITS USE** in conformity with current law, regulations and standards. In particular, the medical specialist must check for, and evaluate, any lesions on the lower limbs, their extent, the subject's weight and the capacity of the child that will be using the device to follow instructions and make use of its potential.
- **BIRILLO WAS EXCLUSIVELY DESIGNED FOR INTERIOR USE.** In particular, the device is intended for use at home, in specialized rehabilitation centres, hospital gymnasiums and schools.
- The walker must only be used by persons whose bodily measurements and weight conform to the specifications in the paragraph "Technical Characteristics" on page 7 and it has been exclusively designed for children.
- The device is available in 4 SIZES: change to a larger product as the child grows.
- **THE CHILD MUST BE TRAINED TO USE BIRILLO, AND ITS EFFECTIVENESS EVALUATED, BY THE THERAPISTS AND MEDICAL SPECIALISTS OF A REHABILITATION DEPARTMENT.**
- **Make sure that all adjustable parts HAVE BEEN LOCKED BEFORE EACH USE.**
- Always make sure that **THERE ARE NO OBSTACLES** in Birillo's range of motion that could cause it to tip-over, such as rugs, steps and objects on the floor.
- **TAKE CARE TO REMOVE KNICK-KNACKS AND OTHER OBJECTS** that could accidentally be knocked over and fall when using Birillo.
- **BE AWARE OF DANGEROUS AREAS BECAUSE CHILDREN USUALLY MOVE QUICKLY.**
- **THE DEVICE IS INFLAMMABLE. KEEP IT AWAY FROM SOURCES OF IGNITION SUCH AS MATCHES, CIGARETTES OR FIREPLACES.**

BIRILLO IS A MECHANICAL MEDICAL DEVICE:

**Perform REGULAR MAINTENANCE and CLEANING following the instructions shown in the "Maintenance" chapter on page 19-20 and HAVE THE DEVICE INSPECTED AT THE INTERVALS INDICATED to VERIFY that it is WORKING PROPERLY and in GOOD CONDITION, otherwise warranty will fail and CE marking will lapse**



**PRODUCT REPAIRS other than the regular maintenance shown on page 19-20 of the manual must be ONLY MADE by a SPECIALIZED SERVICE CENTER in the maintenance of mechanical aids for disables, otherwise warranty and CE marking will be voided**



**Any CHANGES in the product and the REPLACEMENT WITHOUT ORIGINAL PARTS OR COMPONENTS ARE NOT AUTHORIZED. REFER ONLY TO ORMESA, otherwise warranty and CE marking will be voided**



**In case of DOUBT about the SAFETY of the product or DAMAGE to parts or components, you are urged to IMMEDIATELY DISCONTINUE USE and CONTACT a SPECIALIZED SERVICE CENTER in the maintenance of mechanical aids for disables, or directly ORMESA.**

**WARRANTY**

**ORMESA and INNOVATION IN MOTION warrant the product for 2 years;** in case of problems, contact the retailer where you purchased it. **Always ask for original spare parts, otherwise the guarantee will decline**

**ORMESA will not be liable for damage in the following cases:**

- *use by an unsuitable person;*
- *incorrect assembly of parts or accessories;*
- *unauthorized modifications or service;*
- *use of other than original replacement parts and parts subject to wear (upholstery, wheels, etc);*
- *improper use (such as, transporting objects or loads larger or heavier than those shown in the instruction manual);*
- *damage caused by incorrect use and lack of regular maintenance, as shown in the instruction manual;*
- *exceptional events;*
- *failure to follow the instructions in this manual.*


**THE GUARANTEE DOES NOT COVER WEAR PARTS,** which are subject to wear and tear, such as the upholsteries and the wheels.

**HOW TO STORE AND TRANSPORT THE MEDICAL DEVICE**

**THE DEVICE MUST BE STORED AND PACKED using the Ormesa original packaging materials, unless the guarantee will be voided**

- **Once unpacked, THE TRANSPORT OF THE DEVICE must be done by ANCHORING ADEQUATELY it to the vehicle**
- **When travelling by plane, or in the car, DO NOT SUBJECT THE FOLDED FRAME TO LOADS THAT, especially with road bumps, COULD DAMAGE ITS STRUCTURE**

**THE DEVICE MUST BE PARKED / STORED IN CLOSED AND DRY PLACES**

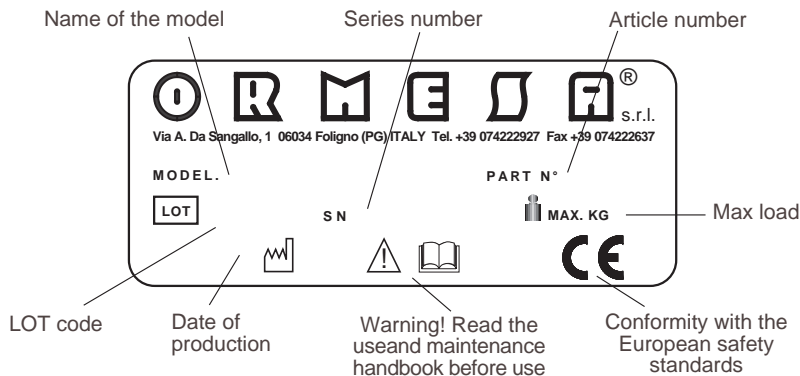
- **THE OPERATING ENVIRONMENT HAS NO PARTICULAR INFLUENCE ON THE DEVICE UNLESS IT IS USED INCORRECTLY, such as by leaving it parked for a long time in direct sunlight or exposed to bad weather such as rain, or in MARINE ENVIRONMENTS, where the salt air could corrode the paint and sliding parts. IN THIS CASE, WE RECOMMEND CAREFULLY CLEANING AND DRYING THE FRAME FOLLOWING THE INSTRUCTIONS SHOWN IN THE “MAINTENANCE, CLEANING AND DISINFECTION” CHAPTER ON PAGES 19-20 AND THE WARNINGS  ON PAGE 20**



## SOME EXAMPLES OF WHAT NOT TO DO WITH BIRILLO

- BIRILLO must not be used without the constant PRESENCE OF A QUALIFIED PERSON OR FAMILY MEMBER.
- The device must not be used if THE WEDGE OR OTHER ADJUSTABLE ELEMENTS HAVE NOT BEEN ADEQUATELY LOCKED.
- DO NOT REST EXCESSIVELY HOT CONTAINERS OR OBJECTS ON THE TRAY SURFACE because they could tip over and because the tray could be seriously damaged.
- NEVER LEAVE THE CHILD IN THE WALKER UNATTENDED.
- NEVER STOP BIRILLO ON SLOPING GROUND.
- NEVER USE BIRILLO ON ROUGH OR STEEP SURFACES OR STAIRS.
- DO NOT LET ANYONE ELSE USE THE WALKER, not even to play with it.
- ALWAYS USE ORIGINAL REPLACEMENT PARTS OR CONSUMABLE MATERIALS or the warranty and the **CE** mark will be voided.

## LABELS AND PLATES



**THE **CE** MARK CERTIFIES THAT BIRILLO CONFORMS TO THE SAFETY REQUIREMENTS OF THE EUROPEAN UNION AND, IN PARTICULAR, DIRECTIVE 93/42/EEC REGARDING "MEDICAL DEVICES" AND SUBSEQUENT MODIFICATIONS AND SUPPLEMENTS**

**IT** **ATTENZIONE**  
**LEGGERE E COMPRENDERE**  
**LE ISTRUZIONI PER L'USO E LA MANUTENZIONE**

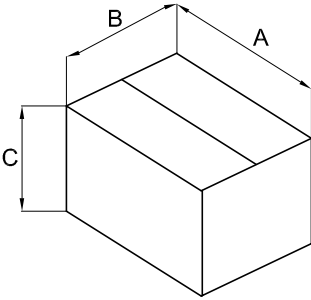
**EN** **WARNING! READ AND UNDERSTAND THE USE AND MAINTENANCE INSTRUCTIONS**

**FR** **ATTENTION! LIRE ET COMPRENDRE LES INSTRUCTIONS POUR L'UTILISATION ET L'ENTRETIEN**

**DE** **SORGFÄLTIG! BITTE LESEN SIE DIE GEBRAUCHSANWEISUNG SORGFÄLTIG DURCH UND BEACHTEN SIE DIE ENTSPRECHENDEN HINWEISE**

**ES** **ATENCIÓN! LEER Y COMPRENDER LAS INSTRUCCIONES DE USO Y MANTENIMIENTO**

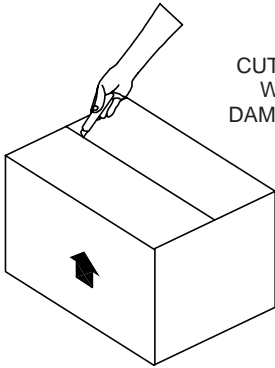
**INITIAL PREPARATION**



**PACKAGING INFORMATION**

WALKER	A cm	B cm	C cm	VOLUME m <sup>3</sup>	WEIGHT kg
BIRILLO 1	67	57	40	0.152	11
BIRILLO 2	67	57	40	0.152	12
BIRILLO 3	78	65	50	0.253	14
BIRILLO 4	78	65	50	0.253	16

**HOW TO REMOVE BIRILLO FROM THE BOX**



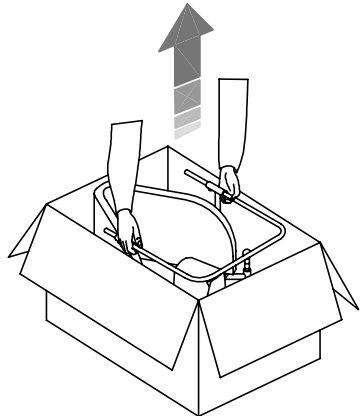
**1**

**ATTENTION!**

CUT WITHOUT PRESSING TOO HARD  
WITH THE BLADE SO AS NOT TO  
DAMAGE THE CONTENTS OF THE BOX

**2**

REMOVE IT FROM THE BOX





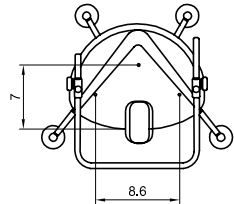
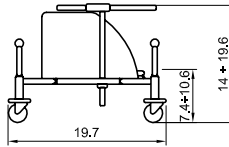
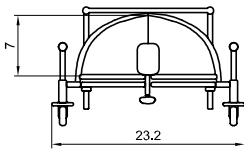
**TECHNICAL FEATURES**

**BIRILLO** is an aid that allows children from age 2 to 8 to move autonomously in a seated position.

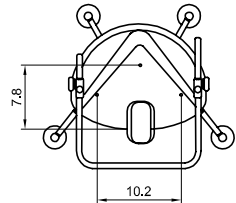
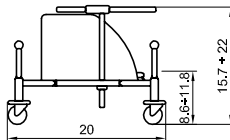
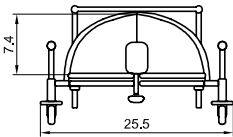
**IT CONSISTS OF:**

- **Frame:** height-adjustable, made of steel painted with non-toxic epoxy paint
- **Seat:** triangular to hold the pelvis (seat/back at a 90° angle). It is padded and wrap-around, upholstered with strong, washable plastic
- **Bumpers:** elastic bumpers to protect the wall and protective balls on the upper ends of the rods
- **Wheels:** fully-swivelling, rolling on ball-bearings, posterior with brakes
- **Handle bar:** adjustable in both height and depth
- **Spreader wedge:** adjustable to contain the pelvis

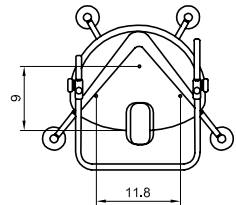
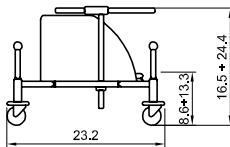
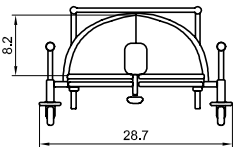
Dimensions in inches



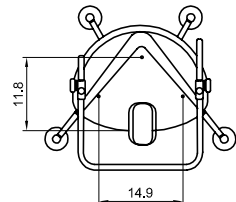
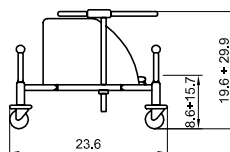
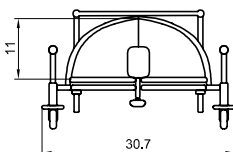
**BIRILLO 1 AID WEIGHT Lbs. 18.7 MAX. CAPACITY Lbs. 66 TURNING WIDTH 26.3"**



**BIRILLO 2 AID WEIGHT Lbs. 22 MAX. CAPACITY Lbs. 88 TURNING WIDTH 28.7"**



**BIRILLO 3 AID WEIGHT Lbs. 24.2 MAX. CAPACITY Lbs. 110 TURNING WIDTH 31.8"**



**BIRILLO 4 AID WEIGHT Lbs. 28.2 MAX. CAPACITY Lbs. 132 TURNING WIDTH 35"**

## WHAT DOES BIRILLO DO?

### BIRILLO WAS DESIGNED AND BUILT TO ALLOW:

- Even small children to move in a seated position by extending their legs
- Active control of the seated position facilitated by the angle and shape of the back, which prevent the excessive extension of the hips and trunk and align the head and chest (fig. 4)

ALL VOLUNTARY MOTOR ACTIVITY IS BASED ON THE ASSOCIATION OF POSTURE AND MOVEMENT. THE CORRECT POSTURE PREVENTS DEFORMITIES AND PROMOTES THE DEVELOPMENT OF MOVEMENTS THAT ARE INDISPENSABLE FOR A RICH AND MEANINGFUL INTERACTION WITH THE PHYSICAL AND SOCIAL ENVIRONMENT.

DUE TO ITS SHAPE AND COLOUR, BIRILLO IS ACCEPTED AS A “TOY” THAT IS USED CALMLY AND WITHOUT FEAR. IT IS RECOMMENDED FOR STIMULATING THE CHILD’S CURIOSITY TO EXPLORE THE SURROUNDING ENVIRONMENT WHEN OTHER MEANS OF LOCOMOTION ARE NOT POSSIBLE DUE TO REASONS OF AGE OR PATHOLOGY (A TEMPORARY OR LONG-TERM INABILITY TO STAND ERECT).

### SPECIFICALLY, BIRILLO'S CORRECT USE FAVOURS:

- Experiencing an alternative posture to that “required” or “semi-required” by the pathology (fig. 1)
- Training for alternating flexion-extension movements with forward and backward propulsion, useful for developing footstep patterns and preventing deformities
- The dissociation of the shoulder girdle, which is free to rotate in all directions, from the pelvic girdle that, instead, is contained in a symmetric and correct position (fig. 2)
- Breaking the “scissors” adductor pattern of the lower limbs, obtainable with the use of the spreader
- Training for vital cardio-circulatory and respiratory functions
- **In addition, Birillo plays an extremely important role in the development of the perceptual and visual-motor functions** that are indispensable for the awareness and representation of space

Fig. 1

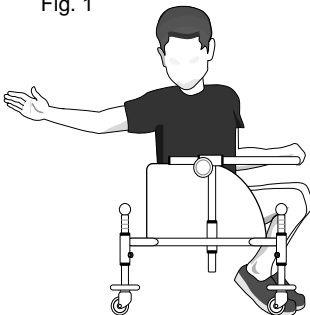
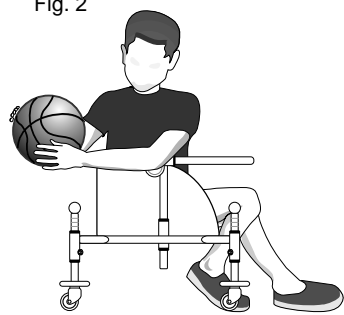


Fig. 2



## HOW BIRILLO WORKS AND HOW TO USE IT

BIRILLO IS SIMPLE AND SAFE. NEVERTHELESS, WE RECOMMEND THAT A REHABILITATION DEPARTMENT PROVIDE TRAINING IN ITS USE AND MONITOR ITS RESULTS, UNDER THE SUPERVISION OF THE CHILD'S DOCTOR AND PHYSIOTHERAPIST.

The instructions for its correct use are few and simple:

### 1. Position the child in the triangular seat

We recommend that an adult (parent or therapist) stand in front of the child and help him enter Birillo by holding him firmly by the sides until he is seated (fig. 3)



(fig. 3)

### 2. Identify the most functional postural system by taking the following criteria into account:

- first of all, seek the maximum stability of the proximal segments of the body so as to facilitate the functionality of the distal segments;
- it is a good idea to, first, stabilize the pelvis in the triangular seat before moving on to the rest of the trunk and body.

FOR THIS REASON, IT WILL BE NECESSARY TO POSITION THE PELVIS AND TRUNK SYMMETRICALLY SO AS TO, FIRST, DISTRIBUTE THE WEIGHT UNIFORMLY AND, SECOND, ALIGN THE SUPPORT POINTS OF THE FOLDING BACK.

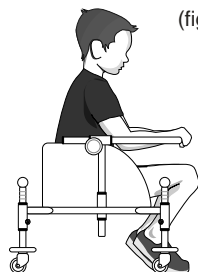
### 3. Adjust the frame, taking care to provide an adequate angle between thighs and pelvis.

There is no standard angle that is valid for everyone; this is related to the needs of the child and the treatment plan. As a guide, a flexion angle of the hip of 85-95° is usually adequate to control spasms in extending the trunk and to facilitate the subsequent voluntary flexion-extension.

For adjustments, see pages 9 and 10.

### 4. At this point, there is an operation that is indispensable for movement

- a) set a flexion of the knees of about 80° to allow a pushing movement of the legs (fig. 4);
- b) position the handle to achieve a graduated, modulated and controlled extension of the upper limbs (the more the frame is extended forwards, the greater the elbow extension obtained)



(fig. 4)

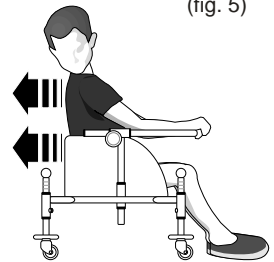
REMEMBER THAT A CORRECTLY SUPPORTED SEATED POSTURE, WITH A SOLID GRIP OF THE PELVIS, FREES THE HANDS FOR EXPLORING AND HANDLING OBJECTS.

### 5. Follow this movement plan:

a) Allow a phase of getting comfortable with the aid. Most children, even very small ones, are not afraid to use it and, in fact, tend to “try it out,” immediately learning to move in all directions. Our experience is that children usually start by moving backwards. This is obviously the most natural way and should not be opposed (fig. 5).

**In this case, which is very common, it will be necessary to make sure that there are no hazards (stairs, fireplaces, burners, etc.).**

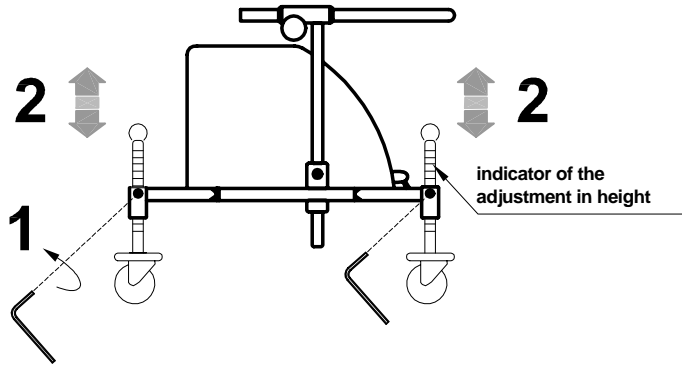
If you find that the child is “timid” (probably due to perceptual problems that are influencing his awareness of space, depth and distance), it is a good idea to proceed cautiously without forcing. In any case, it is a good idea to allow the child to experiment with the aid as freely as possible; later you can transition to a more specific and targeted use.



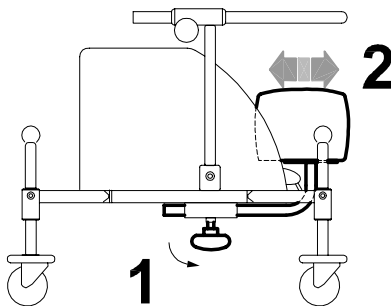
(fig. 5)

**During this phase, the child must never be left alone; an adult SHOULD KEEP HIS HANDS IN CONTACT WITH THE AID AND PROGRESSIVELY REMOVE THEM.**

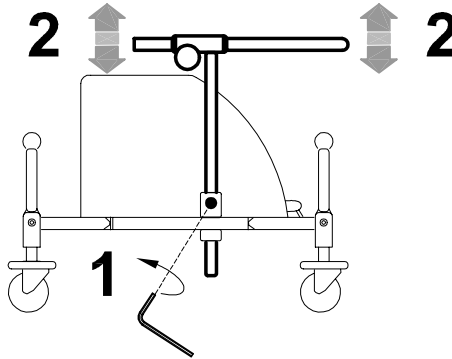
- a) Some activities are performed stopped: grasping objects, turning the head to locate sounds and simultaneously turning the head and trunk.
- b) At this point, the adult will slowly and gently move the aid in all directions to give the child a sense of the movement.
- c) Having achieved a certain sense of security and ability to maintain the equilibrium of the trunk, it's time to take the first steps, first with the aid of the adult and then without.  
It is a good idea to delimit the spaces with visual indicators that facilitate orientation and spatial and temporal organization.

**ADJUSTING THE HEIGHT OF THE BODY**

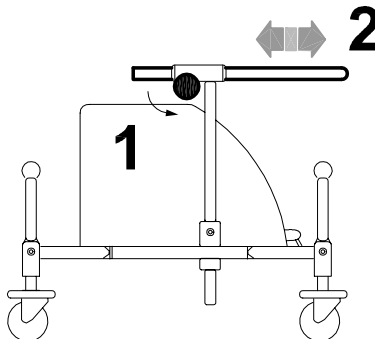
1. LOOSEN THE FOUR SCREWS OF THE FRAME
2. POSITION THE BODY AT THE DESIRED HEIGHT
3. TIGHTEN THE SCREWS

**ADJUSTING THE SPREADER WEDGE**

1. LOOSEN THE HANDWHEEL
2. ADJUST THE WEDGE IN THE DESIRED POSITION
3. TIGHTEN THE HANDWHEEL

**ADJUSTING THE HEIGHT OF THE HANDLE**

1. LOOSEN THE TWO SCREWS OF THE FRAME
2. POSITION THE HANDLE AT THE DESIRED HEIGHT
3. TIGHTEN THE TWO SCREWS

**ADJUSTING THE DEPTH OF THE HANDLE**

1. LOOSEN THE TWO HANDWHEELS
2. ADJUST THE DEPTH OF THE HANDLE
3. TIGHTEN THE TWO HANDWHEELS

## SOME TREATMENT SUGGESTIONS

### ATTENTION!

- THESE ACTIVITIES MUST BE PERFORMED UNDER THE SUPERVISION OF A PARENT AND OTHER SPECIALIZED AND AUTHORIZED PERSONNEL
- REMOVE ALL OBSTACLES
- BEFORE STARTING ANY EXERCISE, MAKE SURE THAT THERE ARE NO DANGEROUS OBJECTS OR SHARP CORNERS IN BIRILLO'S RANGE OF MOTION

As described above, Birillo can be a valid tool for exercising several functions; in this section, we will illustrate several activities that can be performed in the gym or at home.

### GRASPING AN OBJECT PLACED IN FRONT

This exercise involves control of the flexion-extension of the trunk

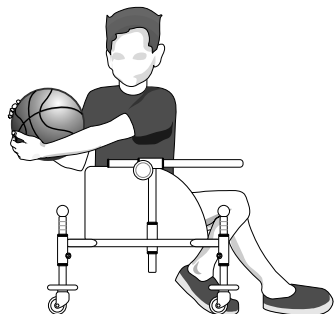
- The child must grasp a fixed or moving object placed in the centre of his visual field



### GRASPING A FIXED OR MOVING OBJECT LOCATED TO THE SIDE

This exercise, which involves rotating the trunk and head, benefits the dissociation between the shoulder and pelvic girdles and the bilateral coordination of the upper limbs.

- The child must visually locate an object located on the right or left periphery of his visual field and grasp the object with his parallel hands



**MOVEMENT OF BIRILLO INDUCED BY THE THERAPIST IN ALL DIRECTIONS AT VARIABLE SPEED**

This exercise induces the postural compensations of the head-trunk-pelvis that are necessary for maintaining equilibrium during movements.

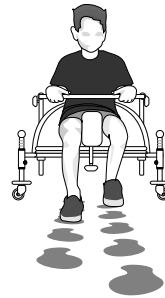
- The child must maintain or restore head-trunk-pelvis alignment after slow or abrupt movements in all directions



**PATH WITH PERCEPTUAL MARKERS ON THE GROUND**

This exercise involves following a path marked by strongly contrasting shapes located along the ground at regular distances that involves alternating the direction of the feet on the ground to move forwards and backwards.

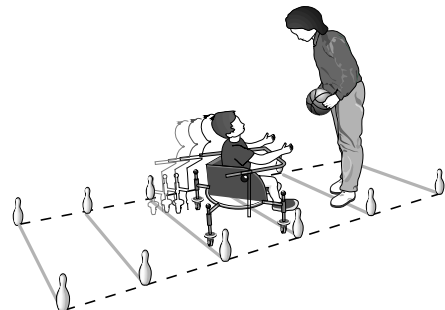
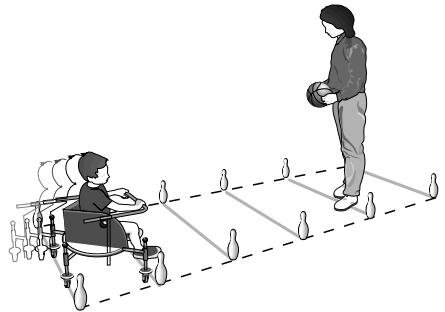
- The child must alternate resting his feet on the shapes and push forwards, backwards or to the side



**PATH WITH PEGS, HORIZONTAL STRIPES AND A FIXED OBJECT TO REACH**

This exercise involves planning and executing movements to achieve an objective by integrating visual and motor functions

- The child must move to reach an object located at the end of the path

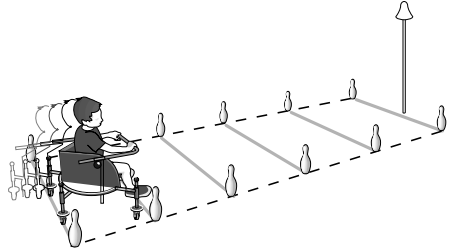




**PATH WITH PEGS AND HORIZONTAL STRIPES**

This path serves to integrate visual information with movements

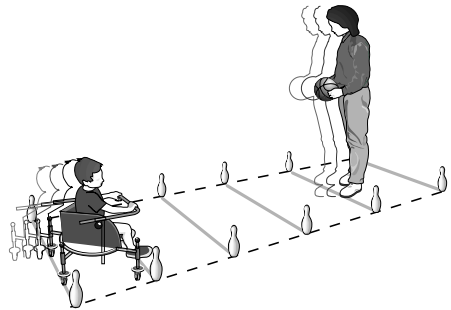
- The child must organize movements, first forward and then back, visually controlling the direction



**PATH WITH PEGS, HORIZONTAL STRIPES AND A MOVING OBJECT TO REACH**

This activity requires coordinating ones own movement with those of the object and, thus, awareness of space

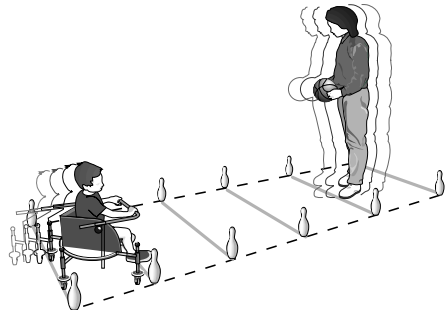
- The child must reach a moving object



**PATH WITH PEGS, HORIZONTAL STRIPES AND A MOVING OBJECT THAT APPROACHES AND MOVES AWAY**

This exercise improves perception of distances in a variable context

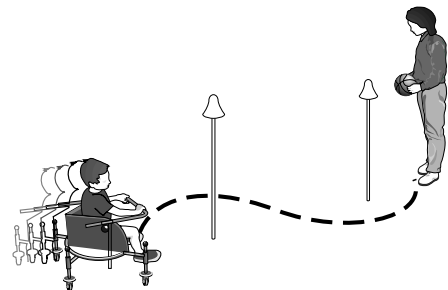
- The child must reach an object that first approaches and then moves away and vice versa



**SLALOM WITH PEGS AND BELLS**

This path integrates visual and sound information with forward and front-side movements

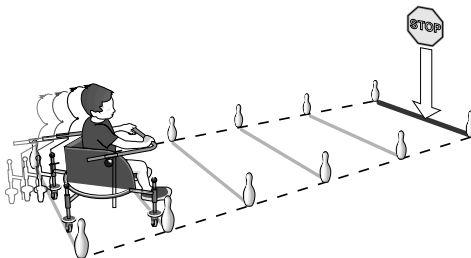
- The child must reach a moving object by passing through pegs



## MOVING WITH SUDDEN STOP

This activity helps the development of a stepping motion, i.e., stopping when you wish to

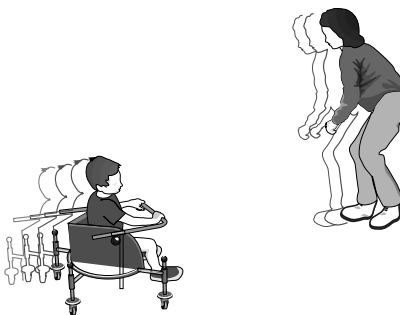
- The child must stop at a precise point on the path. The stopping point must continually change and can be indicated by the adult or the child



## FOLLOWING WITH SLOW OR FAST CHANGE OF DIRECTION

This activity serves to organize the fields of directions during movement, also integrating movement and vision

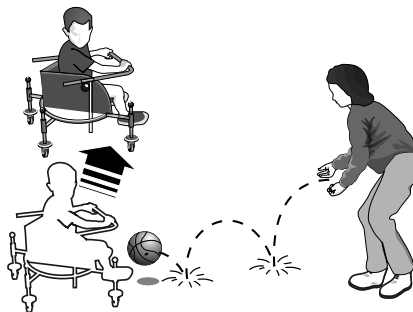
- The child must follow the adult while maintaining a constant distance



## AVOIDING A BALL

This game organizes the positions of the different parts of the body in relation to the movements of an object

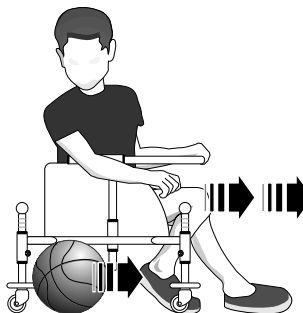
- The child must avoid being touched by the ball that is thrown from all directions at varying speeds



## THE CHILD MOVES TOGETHER WITH A MOVING OBJECT

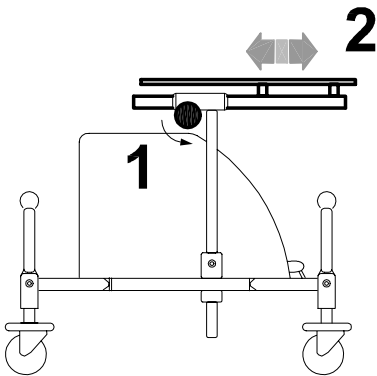
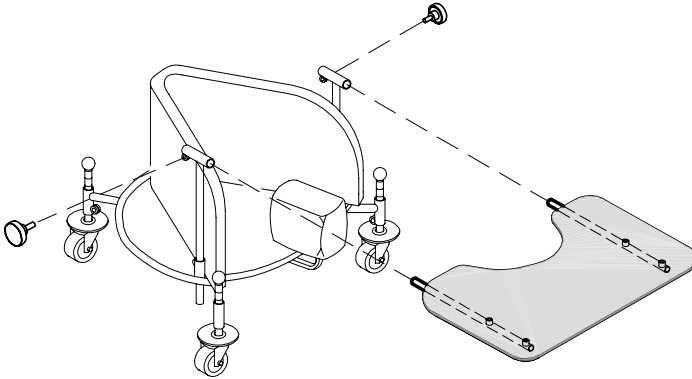
This is another game that combines movement of the body with a moving object

- The child must follow the movement of a ball at the same speed and in the same direction

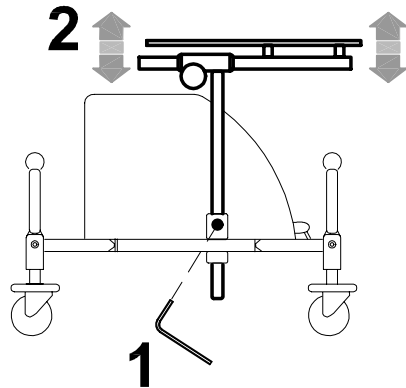


**MOUNTING AND ADJUSTMENT OF ACCESSORIES**

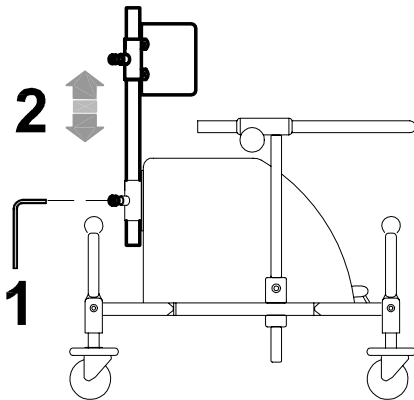
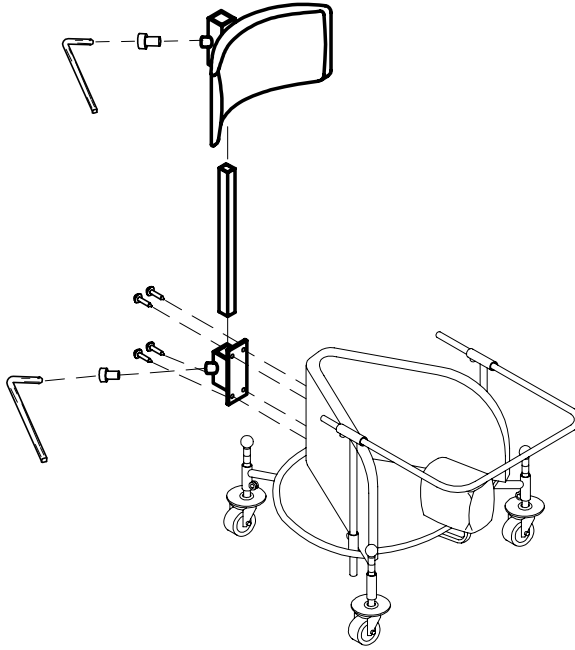
**INSERTING AND ADJUSTING THE TRAY 824**



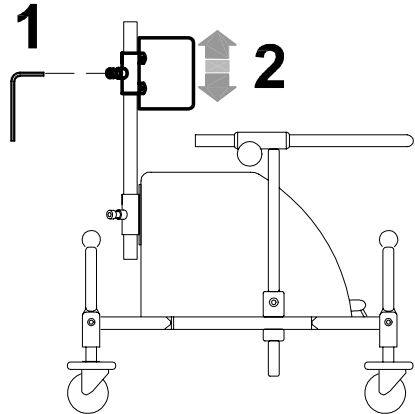
1. LOOSEN THE TWO HANDWHEELS
2. ADJUST THE DEPTH OF THE TRAY
3. TIGHTEN THE TWO HANDWHEELS



1. LOOSEN THE TWO SCREWS OF THE FRAME
2. POSITION THE TRAY AT THE DESIRED HEIGHT
3. TIGHTEN THE TWO SCREWS



1. LOOSEN THE SCREW
2. POSITION THE ROD AND HEADREST
3. TIGHTEN THE SCREW



1. LOOSEN THE SCREW
2. POSITION THE HEADREST
3. TIGHTEN THE SCREW

## MAINTENANCE, CLEANING AND DISINFECTION

### REGULAR (OR PREVENTIVE) MAINTENANCE

REGULAR MAINTENANCE MUST BE PERFORMED ONCE A MONTH. REGULAR MAINTENANCE IS REQUIRED TO KEEP THE PRODUCT WORKING PROPERLY AND SAFELY AND IS ESSENTIAL FOR KEEPING THE CE MARK.

THE MANUFACTURER IS NOT LIABLE FOR THE PERFORMANCE OF THE PRODUCT UNLESS REGULAR MAINTENANCE IS PERFORMED (ATTACHMENT 1, DIRECTIVE 2007/47/EC). THE MANUFACTURER ALSO RECOMMENDS THAT YOU HAVE THE SUPPLIER PERFORM A COMPLETE REVIEW OF THE PRODUCT'S OPERATION AND SAFETY WITH THE FOLLOWING FREQUENCIES:

- 1) within 3 months from purchase
- 2) within six months from purchase
- 3) once a year after the first year from purchase

Clean and disinfect the device and its accessories regularly, following the instructions provided below.

### CLEANING THE PAINTED AND CHROME-PLATED FRAME

Clean and disinfect the painted and chromed parts of the seat and base with a soft cloth dipped in a household detergent and disinfectant, such as alcohol diluted in water.

### CLEANING AND DISINFECTION OF THE CUSHIONS

Clean the cushions with a soft cloth dipped in water with detergent and a neutral home disinfectant.

### CLEANING THE TRAY

Clean Tray 824 with a damp sponge dipped in neutral soap diluted in water. After rinsing, dry well with a soft cloth.

### CLEANING THE WHEELS

At least once a month, clean the wheels of residues (threads, hair, etc.) that can build up on rotating parts. Lubricate sliding parts with spray grease or similar.

### LUBRICATION

The product does not need any special lubrication except if the wheels are not turning freely. In these cases, use a commercial grease spray, paying attention to the warnings on the container. **AFTER LUBRICATION, DRY THE TREATED PARTS WELL TO REMOVE THE RESIDUAL GREASE.**



If you notice any **INEFFICIENCY**, even partial, of the **BRAKES**, immediately contact the retailer where you purchased the product, who will determine whether they need to be repaired or replaced to avoid dangerous situations that could cause accidents.



Do NOT perform maintenance or replace parts or accessories when the user is in the device.



Intensifie all checks in marine environments, clean more often, anoint the parts exposed to salt corrosion (such as chrome, bolts and screws)

### **EXTRAORDINARY (OR CORRECTIVE) MAINTENANCE**

EXTRAORDINARY MAINTENANCE MEANS ANYTHING DONE TO THE PRODUCT THAT IS NOT MENTIONED ABOVE.

WE RECOMMEND THAT THE USER, RETAILER AND HEALTH FACILITIES ENTRUST ALL EXTRAORDINARY OR CORRECTIVE MAINTENANCE TO THE MANUFACTURER OR OTHER FACTORY-AUTHORIZED SERVICE CENTRE.

ANY OTHER SOLUTION WILL RESULT IN THE USER AND THE THIRD-PARTY MAINTAINER FULLY RESPONSIBLE FOR THE RESULTS OF THEIR WORK AND THE MANUFACTURER WILL ONLY BE LIABLE FOR ORIGINAL DEFECTS OF MATERIALS OR WORKMANSHIP.



If the product is to be disposed of, it must be done according to the law in the country/region of destination

---

## **CUSTOMER SERVICE AND SPARE PARTS**

If you need service or spare parts, only contact the retailer where you purchased the product

## CONDITIONS FOR DURABILITY, REUSE AND REASSIGNMENT TO A NEW USER

Granted that Ormesa products should be selected, evaluated and ordered for the needs of an individual user, reuse is however possible with the respect the following conditions.

Based on the experience of other similar sold models, on technological progress, on the guarantees of the Quality Management System certificated in 1998 according to ISO 9001, there is adequate confidence that **the average lifespan of the BIRILLO is about 5 years, on condition that it is used according to the directions given in the user manual.**

Only when the conditions for storage and transport of chapter HOW TO STORE AND TRANSPORT THE MEDICAL DEVICE” are followed, the periods in which the product is stored at the dealer should not be considered in that time period

**Factors unrelated to the product such as the development of the user, its diseases, the use and the surrounding environment can make significantly lower the duration of life of the product; on the contrary, if the indications on the use and maintenance are properly observed, the reliability of the product can extend well beyond the lifetime average above.**

Prior to recycling or reassignment an already used Ormesa product, it is required that:

1. a doctor or therapist verifies that the aid is appropriate and adequate to meet the dimensional, functional and postural needs of the new user, and if all its components are suitable / appropriate for him. You should also consider that the CE-marking and the manufacturer's responsibility for safety requirements for the product remain only if the original product still has not changed and only original accessories or spare parts have been applied
2. qualified technical personnel of a company specialized in the maintenance of technical aids for disabled people performs a detailed technical inspection to verify its condition and wear, the absence of any damage and failure of all components / adjustments, the presence of the user's manual, of the label with the date and serial number. A copy of the manual and maintenance may be always requested to the retailer that supplied the product or directly to Ormesa
3. The product has been thoroughly cleaned and disinfected following the directions given in the “MAINTENANCE, CLEANING AND DISINFECTION” Chapter

We recommend you keep written records on all inspections performed on the product before any assignment to the new user.



**In case of doubt about the safety of the product or damage to parts or components, you are urged to immediately discontinue use and contact a specialized service center in the maintenance of mechanical aids for disable, or directly ORMESA**



Via A. Da Sangallo, 1 Paciana 06034 FOLIGNO PG ITALY

P.I. IT 00574020541 CCIAA Perugia 119215 Iscr. Trib. Perugia 11907 Tel. +39 0742 22927 (r.a.) Fax +39 0742 22637

[http:// www.ormesa.com](http://www.ormesa.com)

E-mail: [info@ormesa.com](mailto:info@ormesa.com)



COMPANY WITH QUALITY  
MANAGEMENT SYSTEM  
CERTIFIED BY  
**= ISO 9001 =**



**FDA** REGISTERED - USA

PRODUCT TESTED  
BY **DEKRA** STUTTGART

**DISTRIBUTOR FOR USA: INNOVATION IN MOTION**

201 Growth Parkway ANGOLA, IN 46703

P 1.260.665.2769

F 1.260.665.3047

Toll free number 800-327-0681

E-mail: [iim@mobility-usa.com](mailto:iim@mobility-usa.com)

Authorized Dealer

*The technical Data and information given in this handbook are not binding. ORMESA reserves the right to carry out any necessary change without prior notice or replacements*